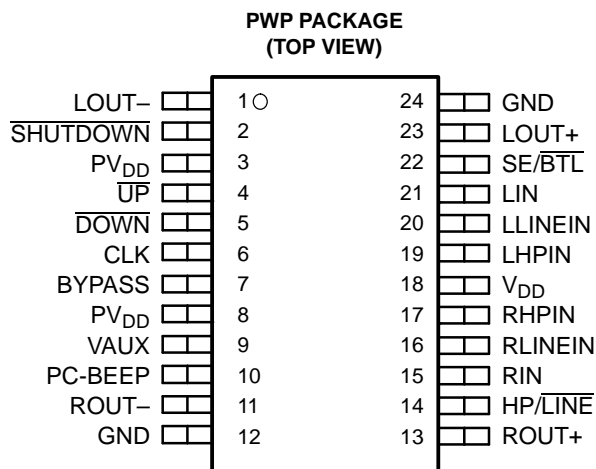


2.8-W STEREO AUDIO POWER AMPLIFIER WITH DIGITAL VOLUME CONTROL

- Internal Memory Restores Volume Setting After Shutdown or Power Down
- Digital Volume Control From 20 dB to -40 dB
- 2.8-W/Ch Output Power Into 3-Ω Load
- Stereo Input MUX
- Compatible With PC 99 Desktop Line-Out Into 10-kΩ Load
- Compatible With PC 99 Portable Into 8-Ω Load
- PC-Beep Input
- Depop Circuitry
- Fully Differential Input
- Low Supply Current and Shutdown Current
- Surface-Mount Power Packaging 24-Pin TSSOP PowerPAD™



DESCRIPTION

The TPA0252 is a stereo audio power amplifier in a 24-pin TSSOP thermally-enhanced package capable of delivering 2.8 W of continuous RMS power per channel into 3-Ω loads. This device minimizes the number of external components needed, which simplifies the design and frees up board space for other features. When driving 1 W into 8-Ω speakers, the TPA0252 has less than 0.3% THD+N across its specified frequency range. The integrated depop circuitry virtually eliminates transients that cause noise in the speakers.

Amplifier gain is controlled by two terminals, UP and DOWN. There are 31 discrete steps covering the range of 20 dB (maximum volume setting) to -40 dB (minimum volume setting) in 2 dB steps. By pressing either button momentarily, the volume steps up or down 2 dB. If a button is held down, the device starts stepping through volume settings at a rate determined by the capacitor on the CLK terminal.

An internal input MUX, controlled by the HP/LINE pin, allows two sets of stereo inputs to the amplifier. In notebook applications, where internal speakers are driven as bridge-tied loads (BTL) and the line outputs (often headphone drive) are required to be single-ended (SE), the TPA0252 automatically switches into SE mode when the SE/BTL input is activated. This effectively reduces the gain by 6 dB.

The TPA0252 includes a VAUX terminal that is used to power the volume-setting registers when the device is in SHUTDOWN, and even if the main V_{DD} power supply is removed. As long as the VAUX terminal is held above 3 V, the registers are maintained. If the VAUX terminal is allowed to go below 3 V, then the data in the registers is lost, and the default gain of -10 dB is loaded into the registers.

The TPA0252 consumes only 9 mA of supply current during normal operation. A miserly shutdown mode reduces the supply current to 150 μA.

The PowerPAD™ package (PWP) delivers a level of thermal performance that was previously achievable only in TO-220-type packages. Thermal impedances of approximately 35°C/W are truly realized in multilayer PCB applications. This allows the TPA0252 to operate at full power into 8-Ω loads at ambient temperatures of 85°C.



Please be aware that an important notice concerning availability, standard warranty, and use in critical applications of Texas Instruments semiconductor products and disclaimers thereto appears at the end of this data sheet.

PowerPAD is a trademark of Texas Instruments.

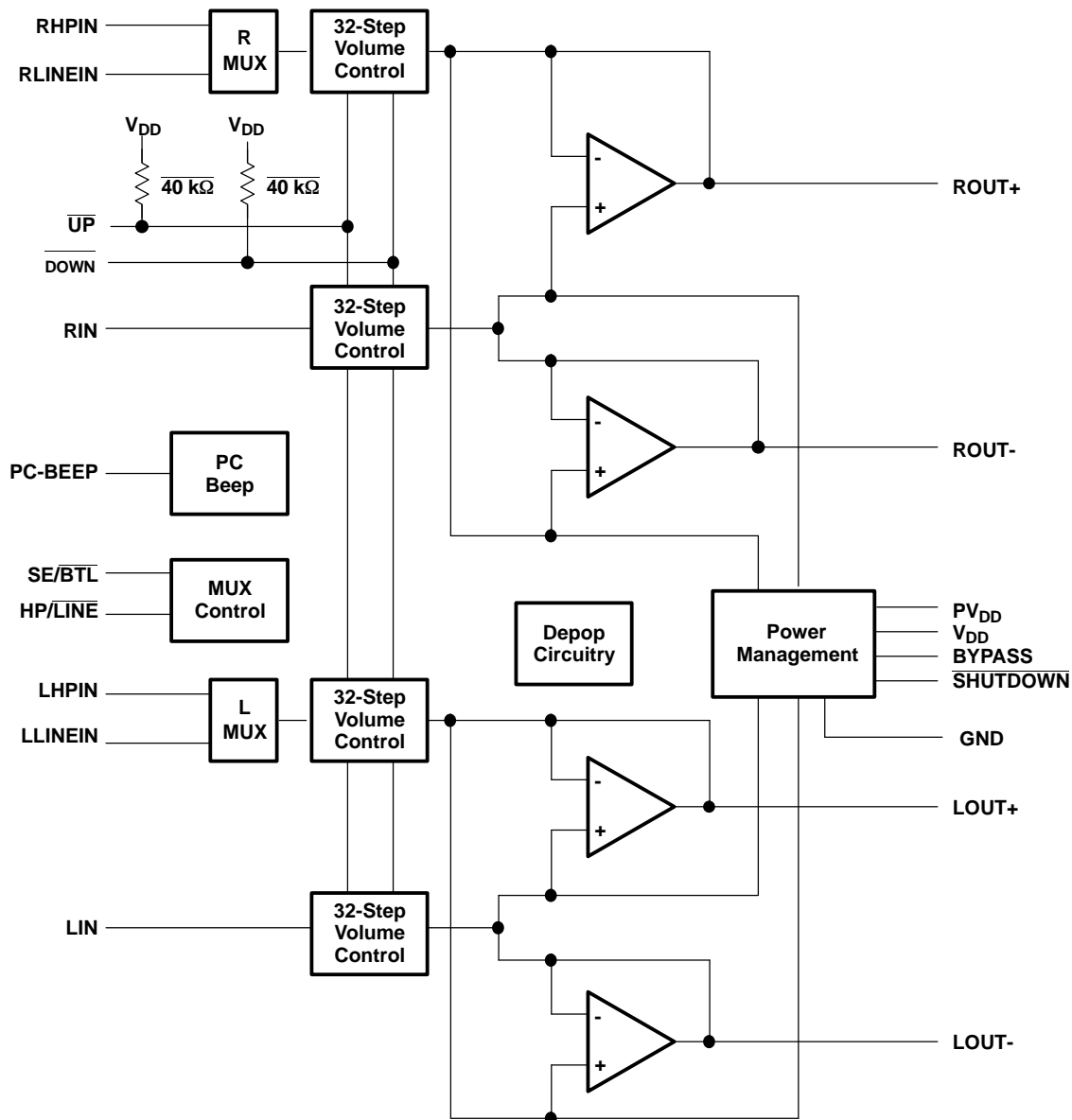


These devices have limited built-in ESD protection. The leads should be shorted together or the device placed in conductive foam during storage or handling to prevent electrostatic damage to the MOS gates.

ORDERING INFORMATION

T _A	PACKAGED DEVICE
	-40°C to 85°C

(1) The PWP package is available taped and reeled. To order a taped and reeled part, add the suffix R to the part number (e.g., TPA0252PWPR).



Terminal Functions

TERMINAL NAME	NO.	I/O	DESCRIPTION
BYPASS	7		Tap to voltage divider for internal mid-supply bias generator
CLK	6	I	If a 47-nF capacitor is attached, the TPA0252 generates an internal clock. An external clock can override the internal clock input to this terminal.
$\overline{\text{DOWN}}$	5	I	A momentary pulse on this terminal decreases the volume level by 2 dB. Holding the terminal low for a period of time steps the amplifier through the volume levels at a rate determined by the capacitor on the CLK terminal.
GND	12, 24	I	Ground connection for circuitry. Connected to thermal pad
HP/ $\overline{\text{LINE}}$	14	I	Input MUX control. When terminal is high, the LHPIN and RHPIN inputs are selected. When terminal is low, LLINEIN and RLINEIN inputs are selected.
LHPIN	19	I	Left-channel headphone input, selected when HP/ $\overline{\text{LINE}}$ is held high
LIN	21	I	Common left input for fully differential input. AC ground for single-ended inputs
LLINEIN	20	I	Left-channel line negative input, selected when HP/ $\overline{\text{LINE}}$ is held low
LOUT+	23	O	Left-channel positive output in $\overline{\text{BTL}}$ mode and positive in SE mode
LOUT–	1	O	Left-channel negative output in $\overline{\text{BTL}}$ mode and high impedance in SE mode
PC-BEEP	10	I	The input for PC beep mode. PC-BEEP is enabled when a > 1.5-V (peak-to-peak) square wave is input to PC-BEEP.
PV _{DD}	3, 8	I	Power supply for output stage
RHPIN	17	I	Right channel headphone input, selected when HP/ $\overline{\text{LINE}}$ is held high
RIN	15	I	Common right input for fully differential input. AC ground for single-ended inputs
RLINEIN	16	I	Right-channel line input, selected when HP/ $\overline{\text{LINE}}$ is held low
ROUT+	13	O	Right-channel positive output in $\overline{\text{BTL}}$ mode and positive in SE mode
ROUT–	11	O	Right-channel negative output in $\overline{\text{BTL}}$ mode and high impedance in SE mode
SE/ $\overline{\text{BTL}}$	22	I	Input and output MUX control. When this terminal is held high SE outputs are selected. When this terminal is held low BTL outputs are selected.
$\overline{\text{SHUTDOWN}}$	2	I	When held low, this terminal places the entire device, except PC-BEEP detect circuitry, in shutdown mode.
$\overline{\text{UP}}$	4	I	A momentary pulse on this terminal increases the volume level by 2 dB. Holding the terminal low for a period of time steps the amplifier through the volume levels at a rate determined by the capacitor on the CLK terminal.
VAUX	9	I	Volume control memory supply. Connect to system auxiliary that stays active when device is powered down.
V _{DD}	18	I	Analog V _{DD} input supply. This terminal needs to be isolated from PV _{DD} to achieve highest performance.
Thermal Pad			Connect to ground. Must be soldered down in all applications to properly secure device on PC board.

ABSOLUTE MAXIMUM RATINGS

over operating free-air temperature range (unless otherwise noted)⁽¹⁾

Supply voltage, V _{DD}	6 V
Input voltage, V _I	-0.3 V to V _{DD} +0.3 V
Continuous total power dissipation	internally limited (see Dissipation Rating Table)
Operating free-air temperature range, T _A	-40°C to 85°C
Operating junction temperature range, T _J	-40°C to 150°C
Storage temperature range, T _{stg}	-65°C to 85°C
Lead temperature 1,6 mm (1/16 inch) from case for 10 seconds	260°C

- (1) Stresses beyond those listed under "absolute maximum ratings" may cause permanent damage to the device. These are stress ratings only, and functional operation of the device at these or any other conditions beyond those indicated under "recommended operating conditions" is not implied. Exposure to absolute-maximum-rated conditions for extended periods may affect device reliability.

DISSIPATION RATING TABLE

PACKAGE	T _A ≤ 25°C	DERATING FACTOR	T _A = 70°C	T _A = 85°C
PWP	2.7 W ⁽¹⁾	21.8 mW/°C	1.7 W	1.4 W

- (1) See the Texas Instruments document, *PowerPAD™ Thermally Enhanced Package Application Report* (literature number SLMA002), for more information on the PowerPAD™ package. The thermal data measured on a PCB layout based on the information in the section entitled *Texas Instruments Recommended Board for PowerPAD™* on page 33 of the before mentioned document.

RECOMMENDED OPERATING CONDITIONS

		MIN	MAX	UNIT
Supply voltage, V _{DD}		4.5	5.5	V
Volume control memory supply voltage, V _{AUX}		3	5.5	V
High-level input voltage, V _{IH}	CLK	4.5		V
	SE/BTL, HP/LINE	0.8 × V _{DD}		
	UP, DOWN	4		
	SHUTDOWN	2		
Low-level input voltage, V _{IL}	SE/BTL, HP/LINE		0.6 × V _{DD}	V
	SHUTDOWN		0.8	
	UP, DOWN, CLK		0.5	
Operating free-air temperature, T _A		-40	85	°C

ELECTRICAL CHARACTERISTICS

at specified free-air temperature, V_{DD} = 5 V, T_A = 25°C (unless otherwise noted)

PARAMETER	TEST CONDITIONS	MIN	TYP	MAX	UNIT
V _{OS}	Output offset voltage (measured differentially)			35	mV
	Supply ripple rejection ratio		67		dB
I _{IH}	High-level input current	SE/BTL, HP/LINE, SHUTDOWN, UP, DOWN			1
I _{IL}	Low-level input current	SE/BTL, HP/LINE, SHUTDOWN			1
		UP, DOWN			125
I _{DD}	Supply current	BTL mode	9	15	mA
		SE mode	4.5	7.5	
I _{DD(SD)}	Supply current, shutdown mode		150	300	μA
I _{DD(VAUX)}	Supply current, VAUX pin (see Figure 29)	VAUX = 5 V, V _{DD} = 0 V	0.7		nA

OPERATING CHARACTERISTICS

V_{DD} = 5 V, T_A = 25°C, R_L = 4 Ω, Gain = 20 dB, BTL mode (unless otherwise noted)

PARAMETER	TEST CONDITIONS	MIN	TYP	MAX	UNIT
P _O	Output power	R _L = 3 Ω, f = 1 kHz	THD = 10%	2.8	W
			THD = 1%	2.3	
THD + N	Total harmonic distortion plus noise	P _O = 1 W, f = 20 Hz to 15 kHz		0.3%	
B _{OM}	Maximum output power bandwidth	THD = 5%		>15	kHz
k _{SVR}	Supply ripple rejection ratio	f = 1 kHz, C _B = 0.47 μF	BTL mode	65	dB
			SE mode, Gain = 14 dB	60	
V _n	Noise output voltage	C _B = 0.47 μF, f = 20 Hz to 20 kHz	BTL mode, Gain = 6 dB	17	μV _{RMS}
			SE mode, Gain = 0 dB	44	

TYPICAL CHARACTERISTICS

Table of Graphs

			FIGURE
THD+N	Total harmonic distortion plus noise	vs Output power	1, 4, 6, 8, 10
		vs Voltage gain	2
		vs Frequency	3, 5, 7, 9, 11, 12
V_n	Output noise voltage	vs Frequency	13
	Supply ripple rejection ratio	vs Frequency	14, 15
	Crosstalk	vs Frequency	16, 17, 18
	Shutdown attenuation	vs Frequency	19
SNR	Signal-to-noise ratio	vs Frequency	20
		Closed loop response	21, 22
P_O	Output power	vs Load resistance	23, 24
P_D	Power dissipation	vs Output power	25, 26
		vs Ambient temperature	27
R_I	Input resistance	vs Gain	28
$I_{DD(VAUX)}$	Supply current	vs V_{AUX}	29

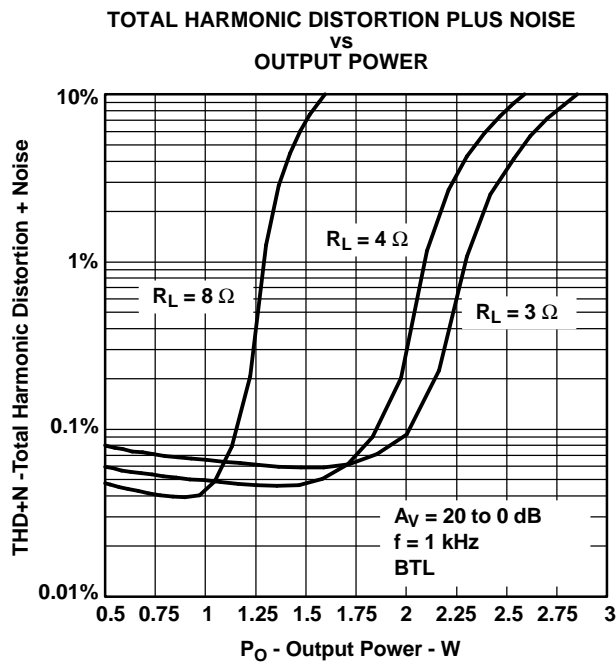


Figure 1.

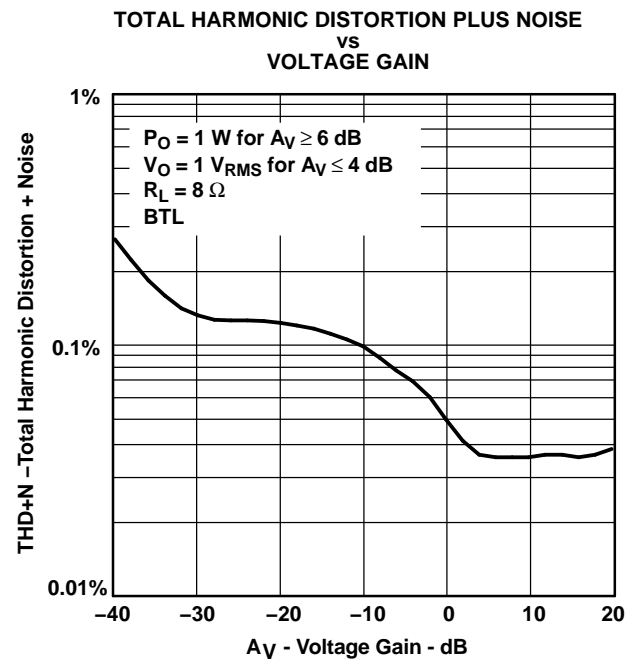


Figure 2.

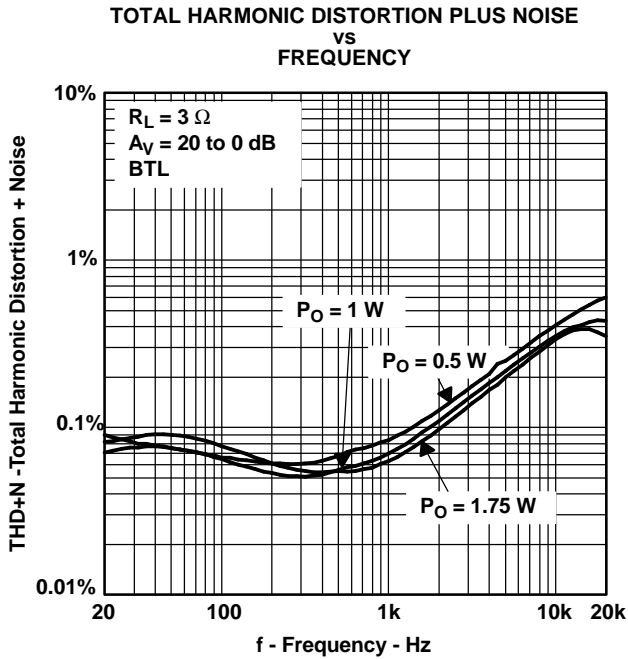


Figure 3.

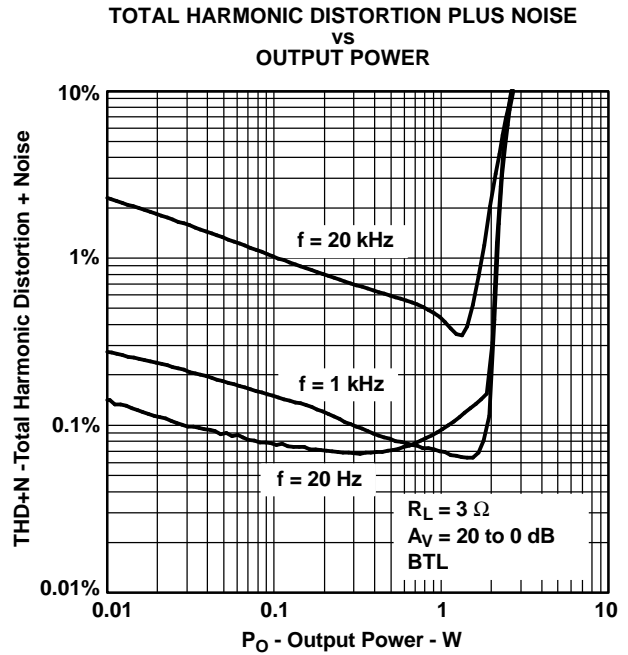


Figure 4.

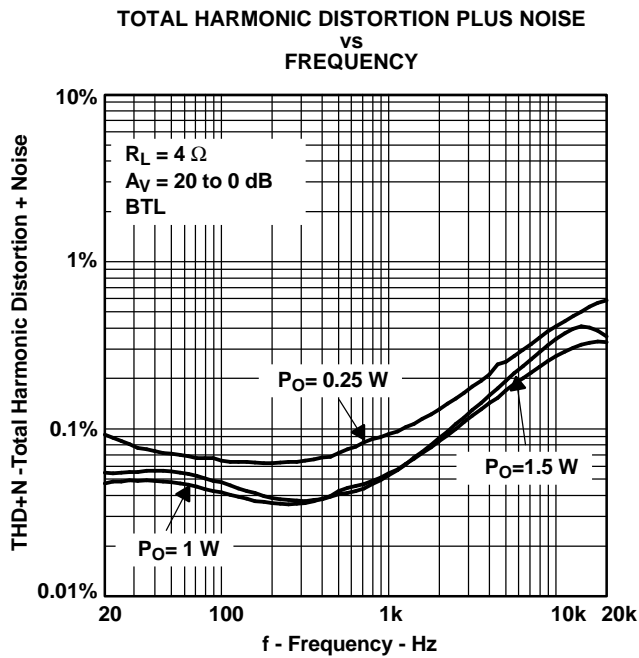


Figure 5.

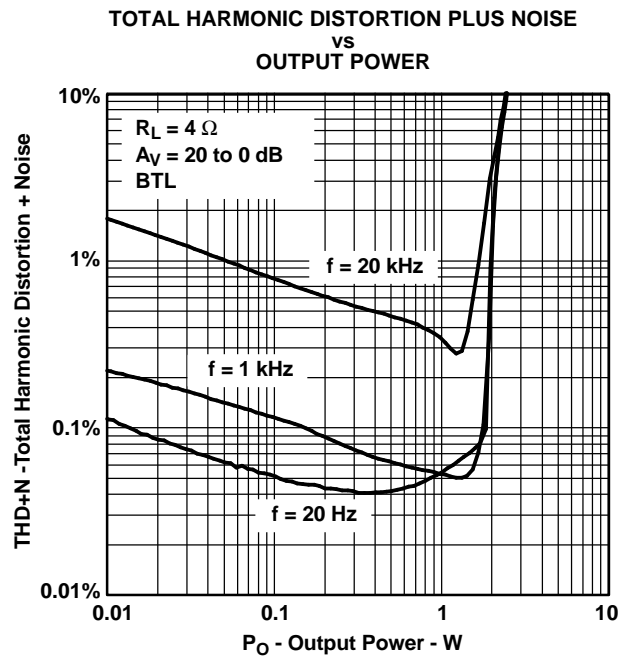


Figure 6.

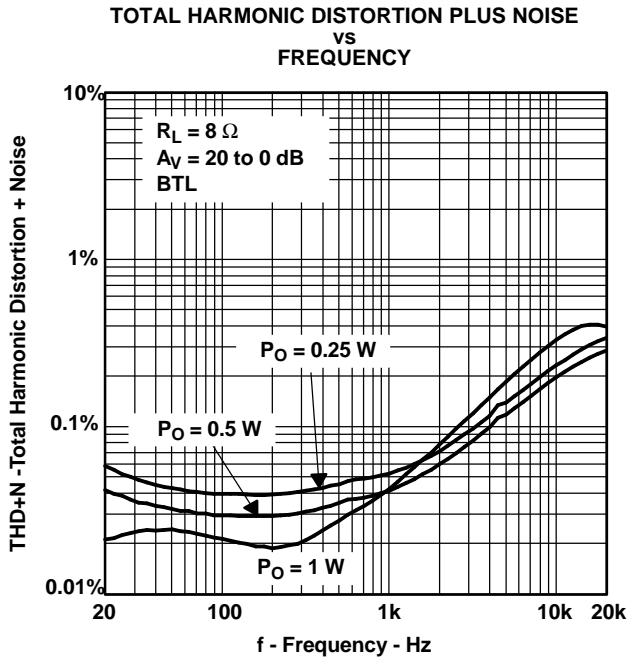


Figure 7.

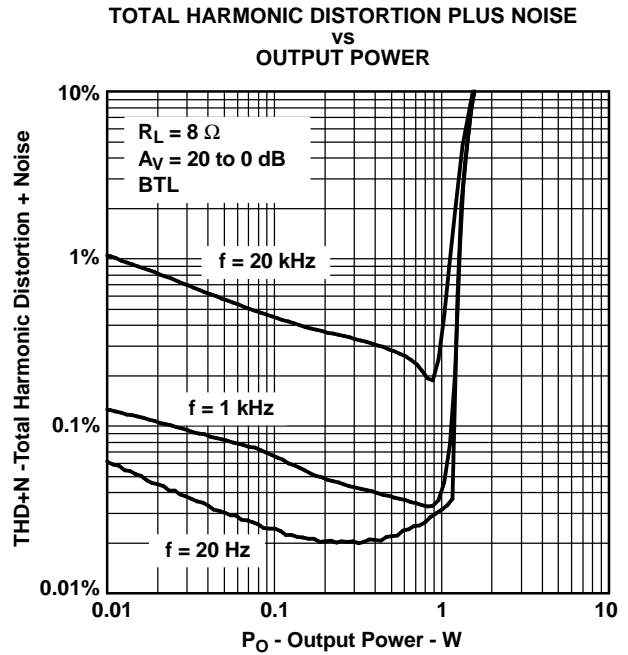


Figure 8.

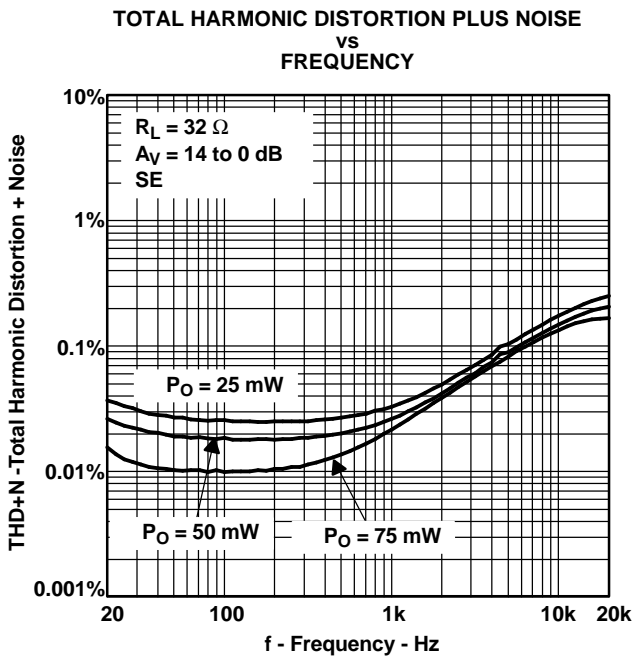


Figure 9.

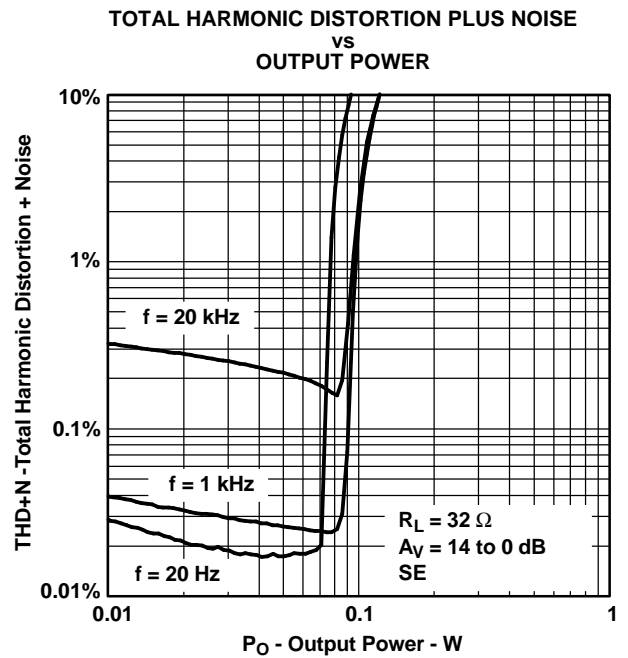


Figure 10.

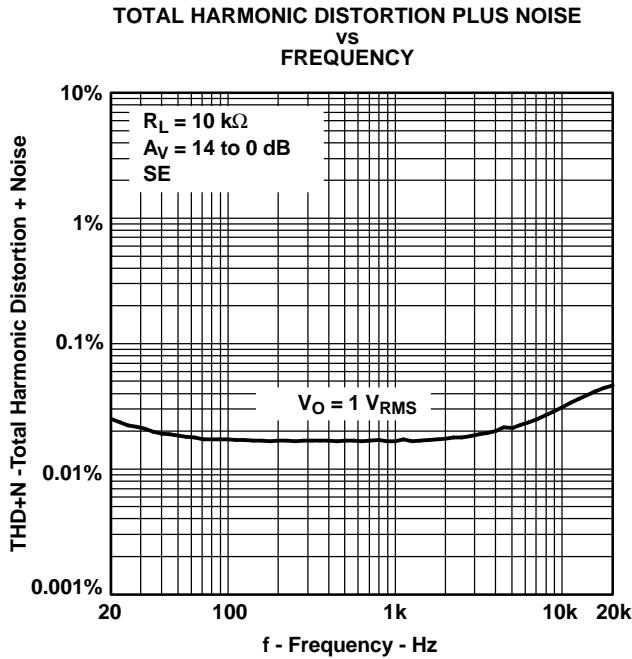


Figure 11.

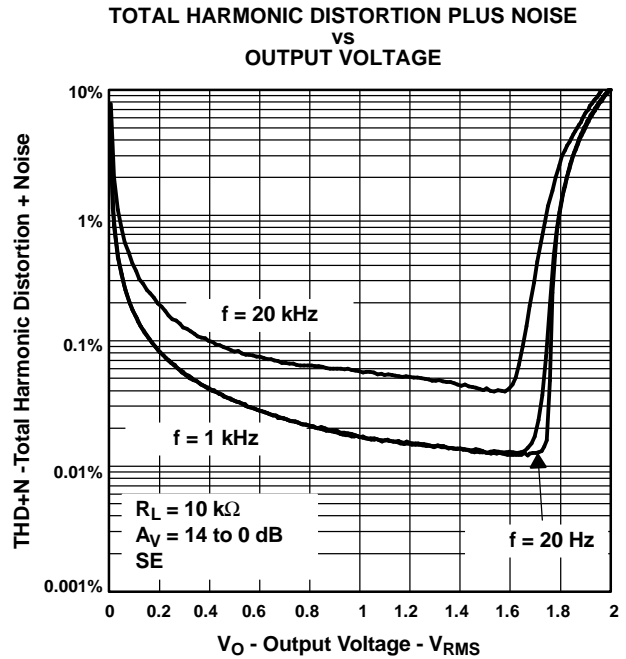


Figure 12.

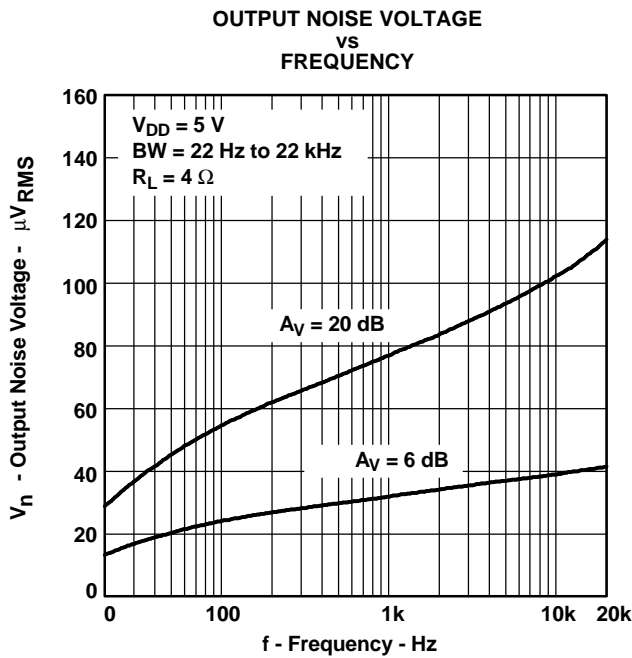


Figure 13.

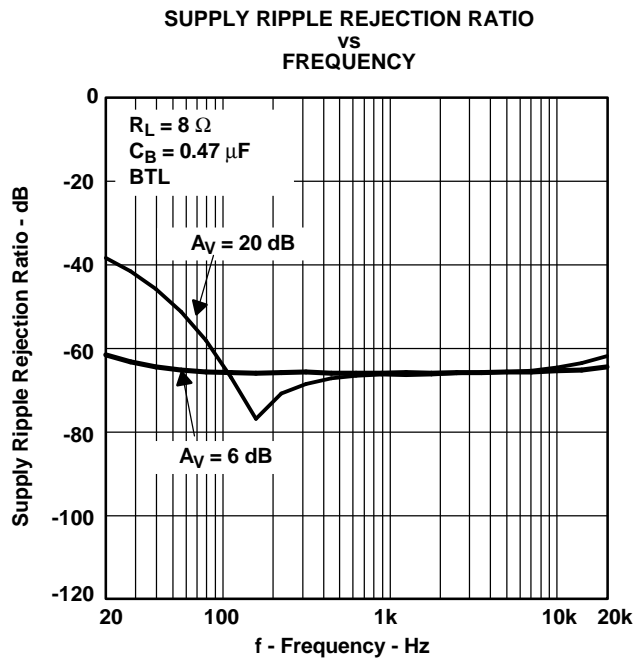


Figure 14.

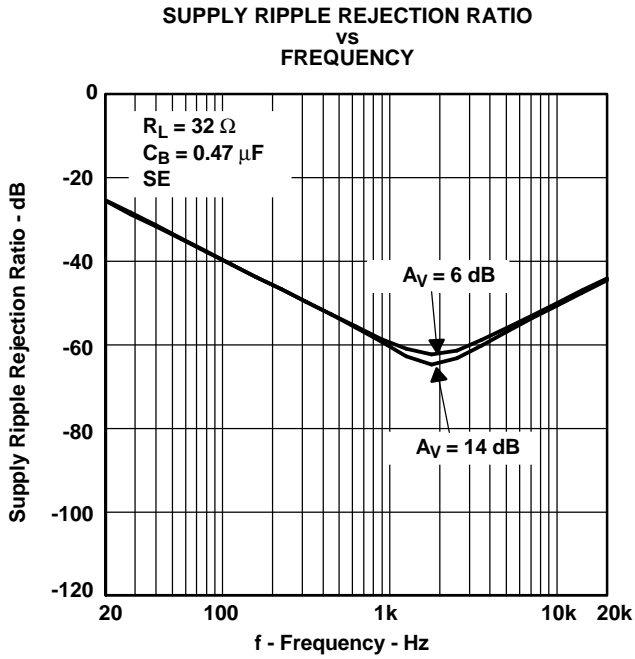


Figure 15.

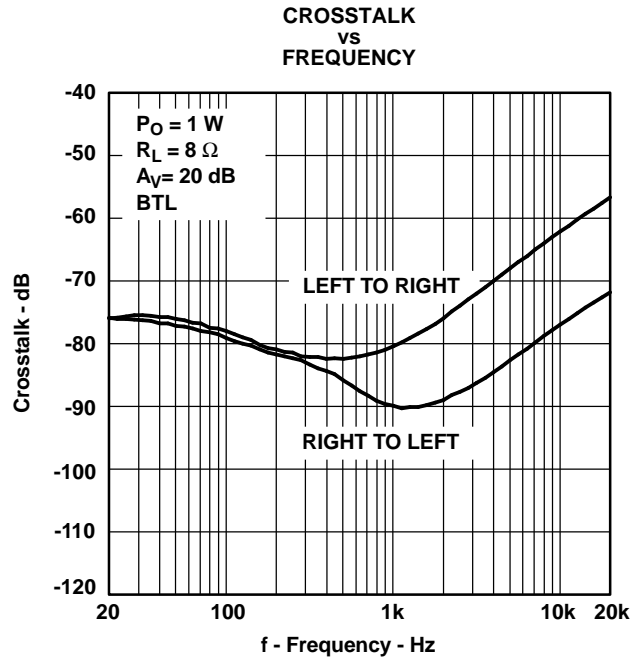


Figure 16.

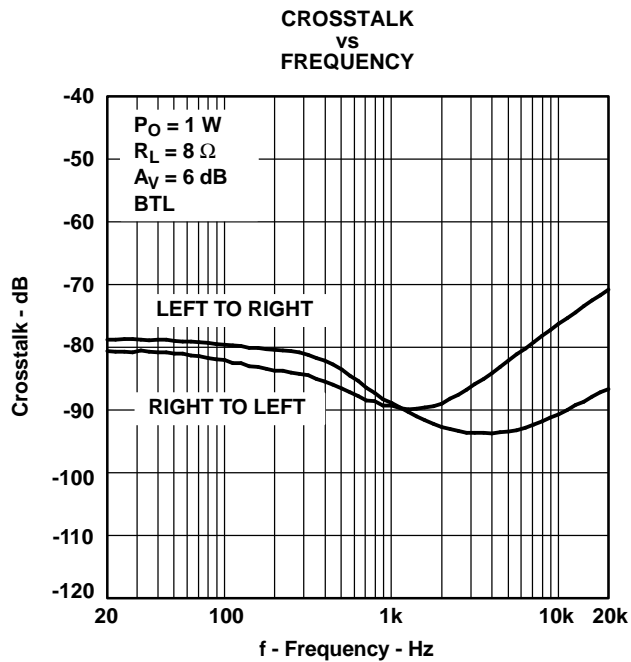


Figure 17.

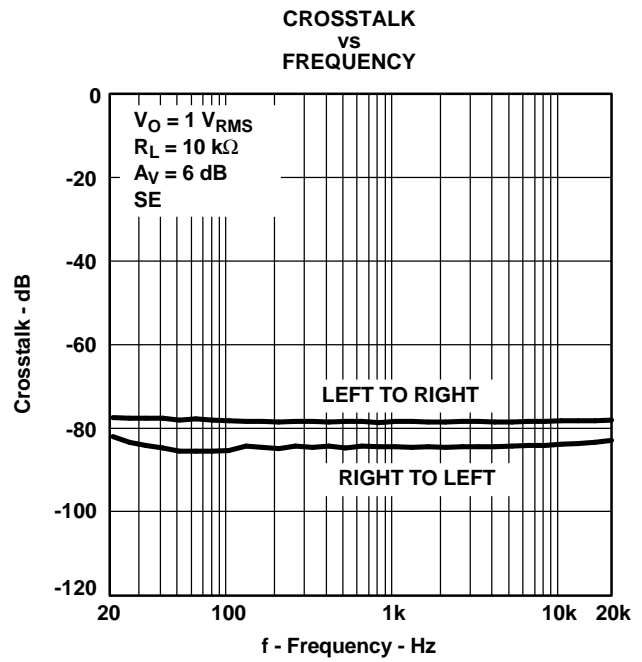


Figure 18.

SHUTDOWN ATTENUATION
VS
FREQUENCY

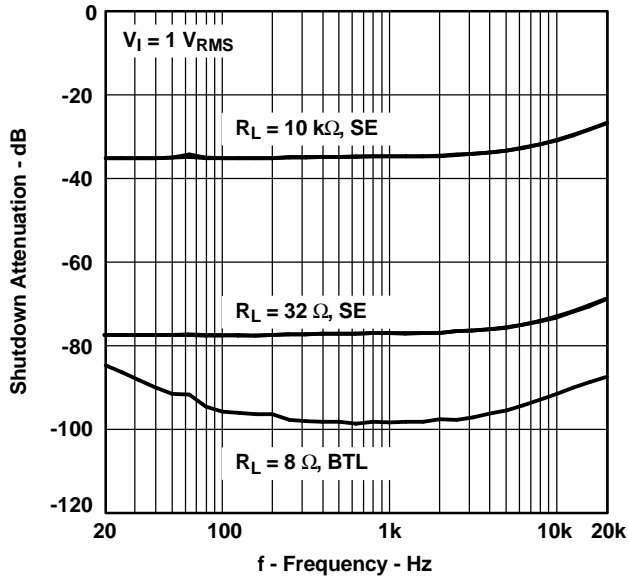


Figure 19.

SIGNAL-TO-NOISE RATIO
VS
FREQUENCY

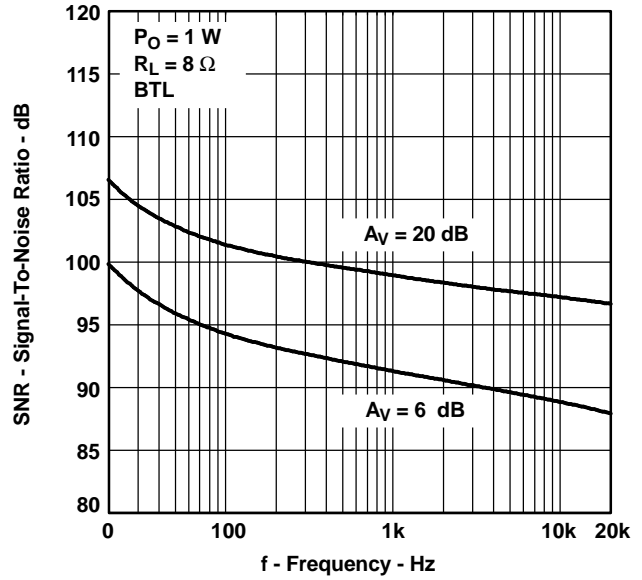


Figure 20.

CLOSED LOOP RESPONSE

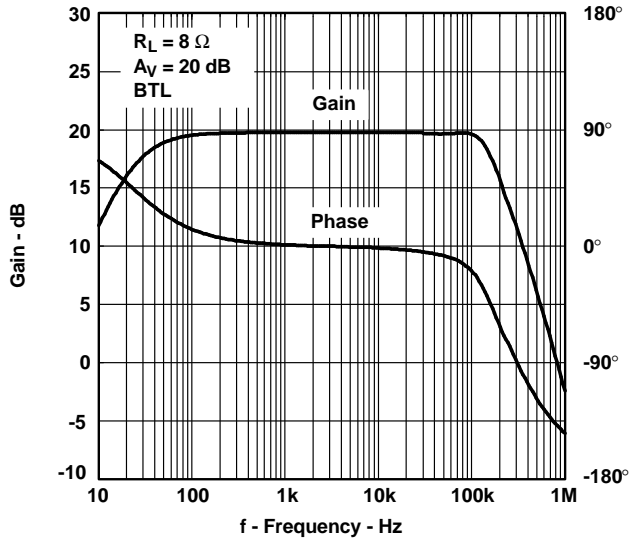


Figure 21.

CLOSED LOOP RESPONSE

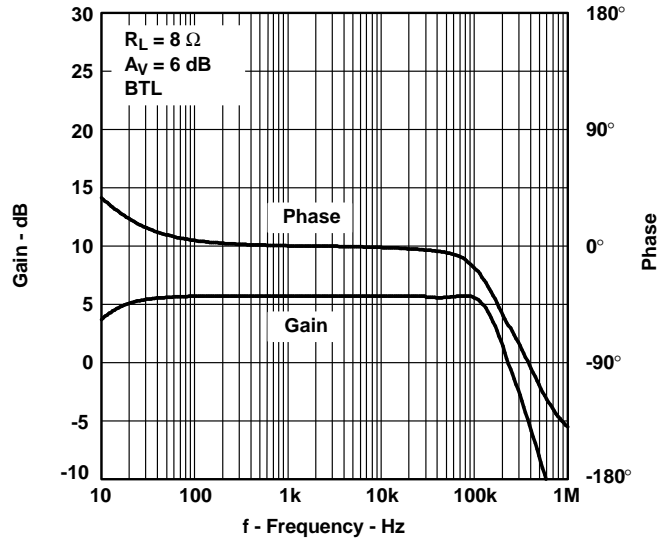


Figure 22.

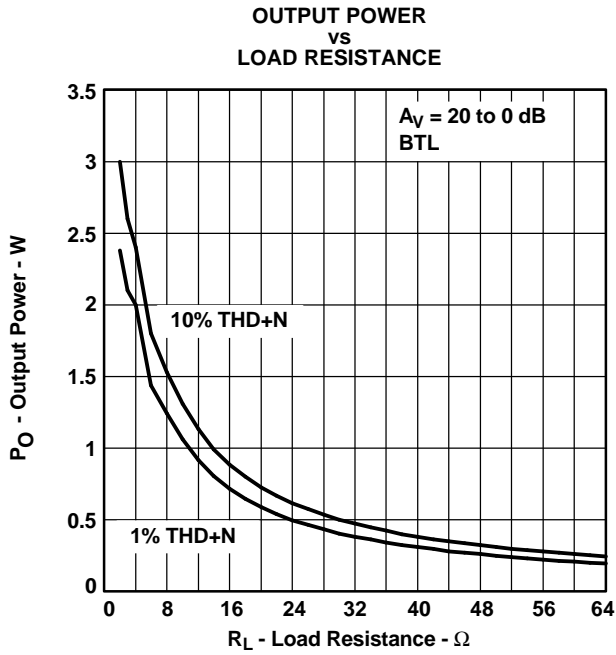


Figure 23.

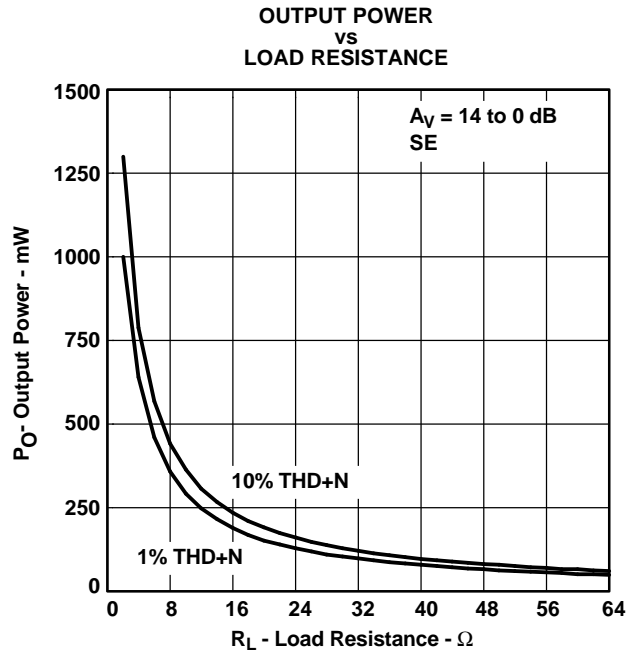


Figure 24.

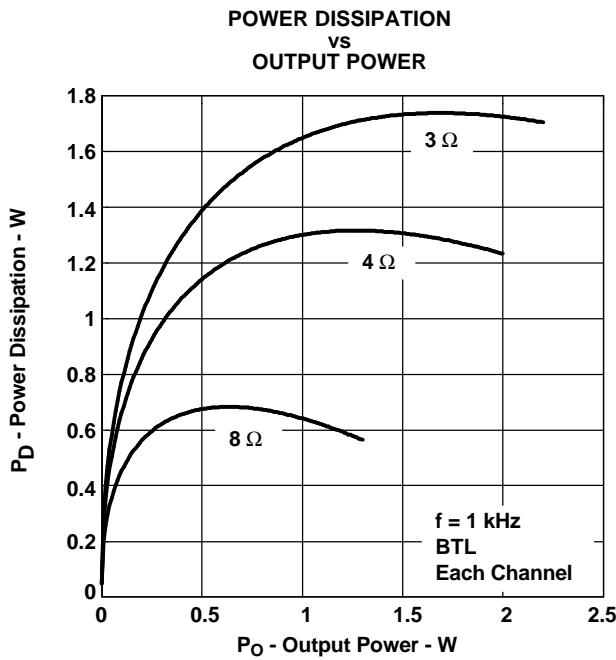


Figure 25.

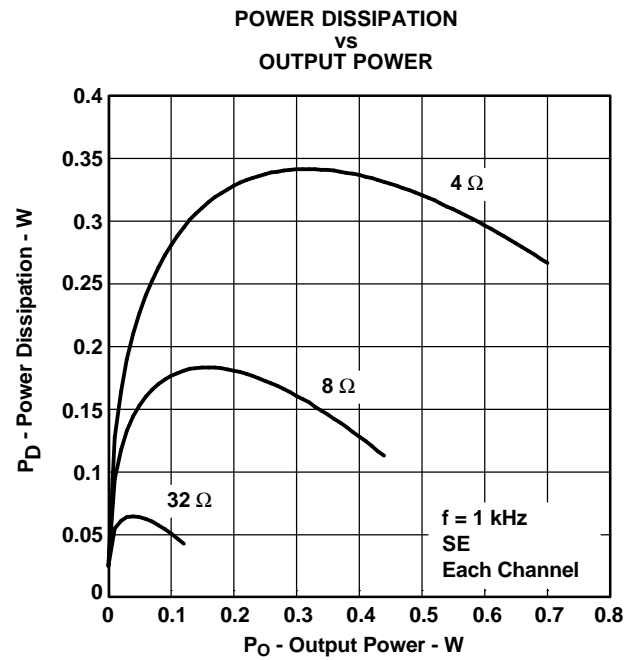


Figure 26.

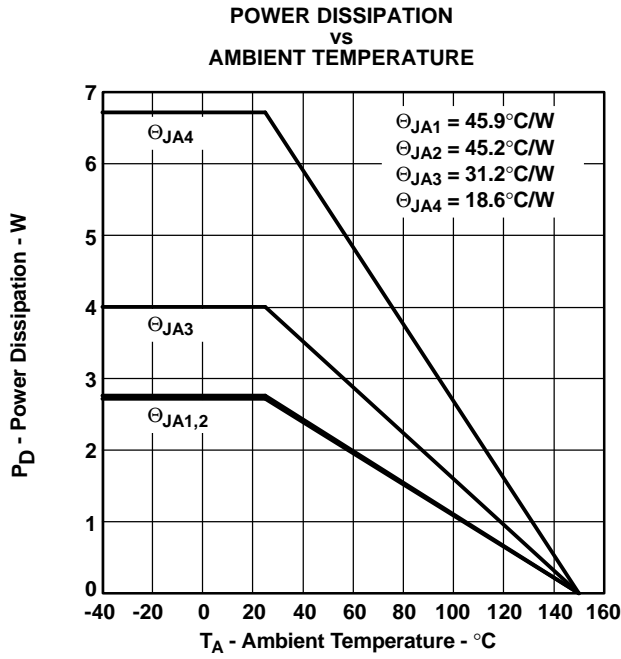


Figure 27.

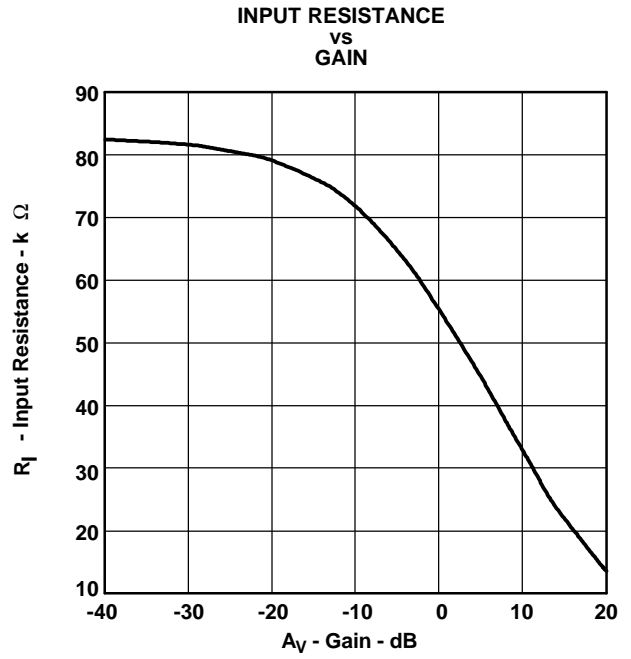


Figure 28.

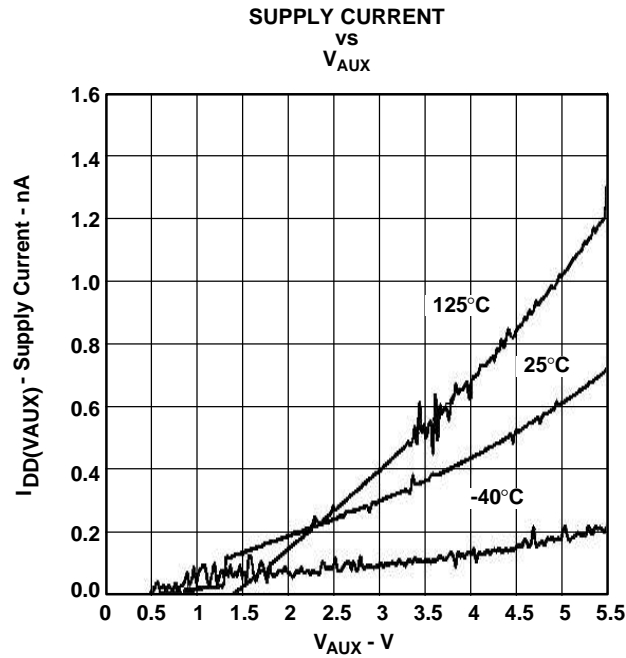
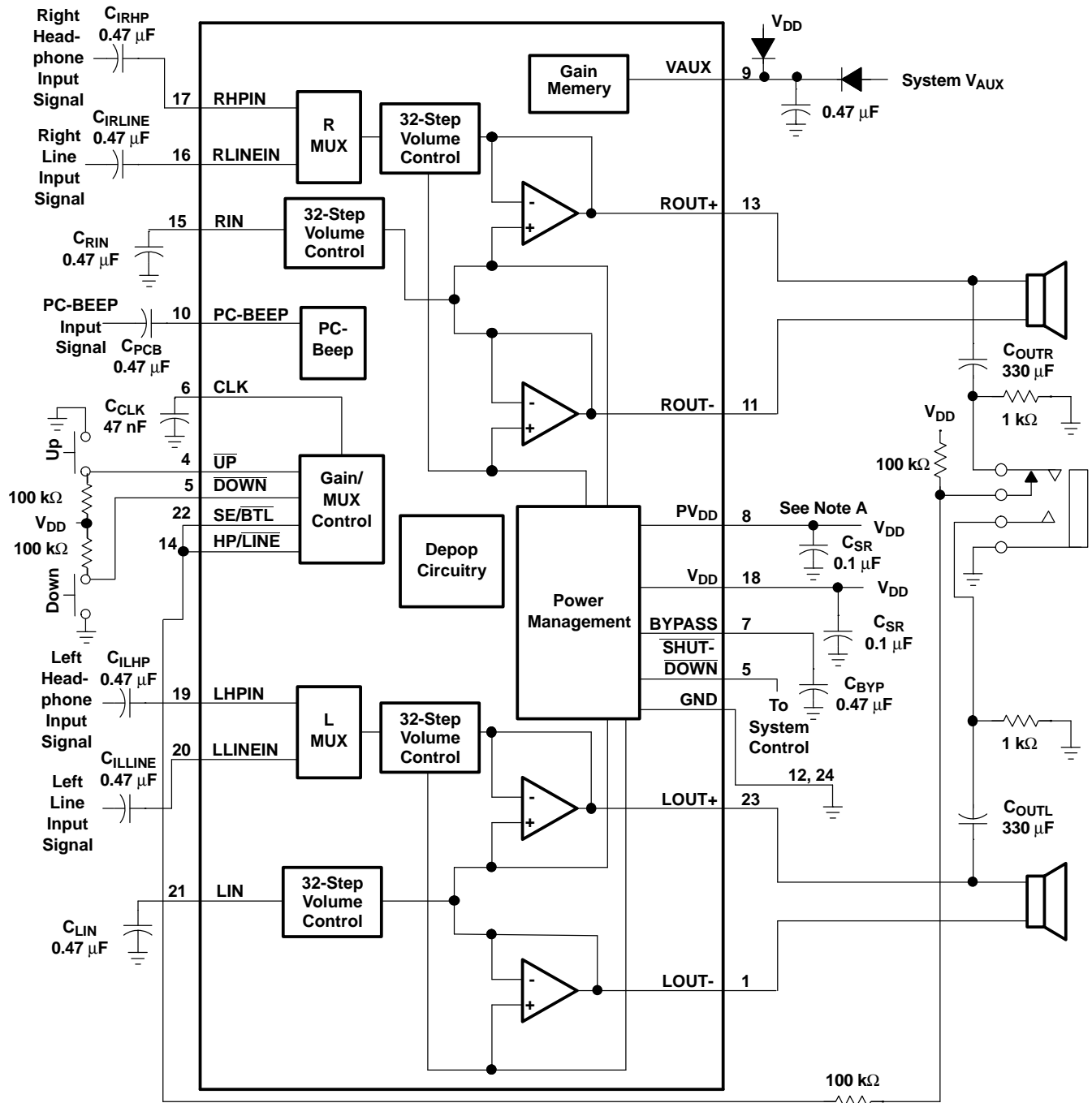


Figure 29.

APPLICATION INFORMATION

Component Selection

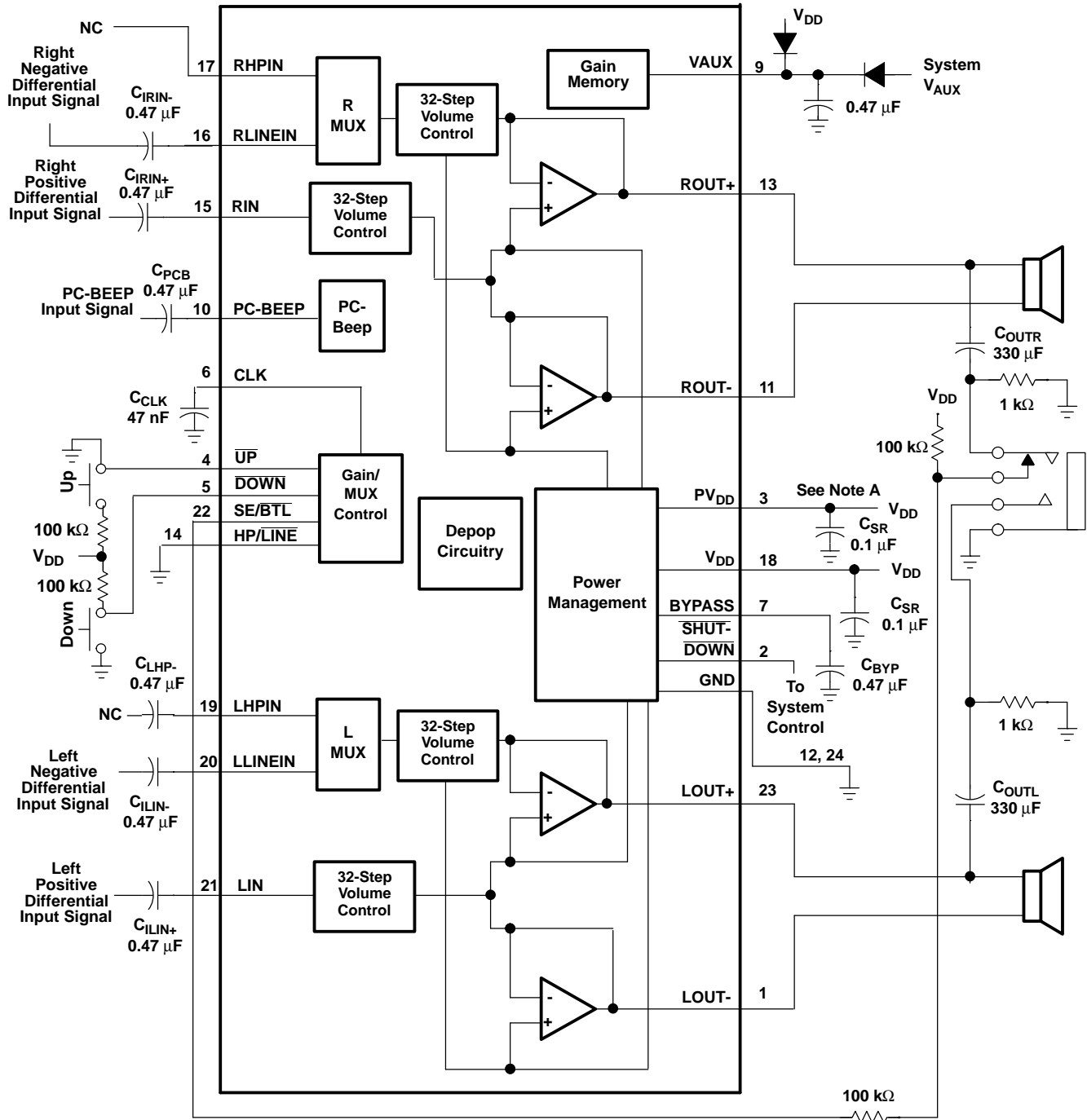
Figure 30 and Figure 31 are schematic diagrams of typical notebook computer application circuits.



- A. A 0.47 μF ceramic capacitor must be placed as close as possible to the IC. For filtering lower-frequency noise signals, a larger electrolytic capacitor of 10 μF or greater must be placed near the audio power amplifier.

Figure 30. Typical TPA0252 Application Circuit Using Single-Ended Inputs and Input MUX

Application Information (continued)



A. A 0.47 μF ceramic capacitor must be placed as close as possible to the IC. For filtering lower-frequency noise signals, a larger electrolytic capacitor of 10 μF or greater must be placed near the audio power amplifier.

Figure 31. Typical TPA0252 Application Circuit Using Differential Inputs

Application Information (continued)

UP/DOWN VOLUME CONTROL

Changing Volume

The default volume is set at mute mode. The volume is increased in 2-dB steps by pulling the \overline{UP} terminal low. The volume is decreased in 2-dB steps by pulling the \overline{DOWN} terminal low. If power is removed, the device resets to mute mode.

Volume Settings

VOLUME CONTROL	
BTL (dB)	SE (dB)
20	14
18	12
16	10
14	8
12	6
10	4
8	2
6	0
4	-2
2	-4
0	-6
-2	-8
-4	-10
-6	-12
-8	-14
-10	-16
-12	-18
-14	-20
-16	-22
-18	-24
-20	-26
-22	-28
-24	-30
-26	-32
-28	-34
-30	-36
-32	-38
-34	-40
-36	-42
-38	-44
-40	-46
-85	-91

Changing Volume When Using the Internal Clock

If using the internal clock, the maximum clock frequency is 500 Hz and the recommended frequency is 100 Hz using a 47-nF capacitor. Use Equation 1 to calculate the clock frequency if using a capacitor to generate the clock.

$$f_{\text{CLK}} = \frac{4.7 \times 10^{-6}}{C_{\text{CLK}}} \tag{1}$$

When the desired volume-control signal is pulled low for four clock cycles, the volume increments by one step, followed by a short delay. This delay decreases the longer the line is held low, eventually reaching a delay of zero. The delay allows the user to pull the $\overline{\text{UP}}$ or $\overline{\text{DOWN}}$ terminal low once for one volume change, or hold down to ramp several volume changes. The delay is optimally configured for push button volume control.

Holding either $\overline{\text{UP}}$ or $\overline{\text{DOWN}}$ low continuously causes the volume to change at an exponentially increasing rate. When $f_{\text{CLK}} = 100$ Hz, the first change in the volume occurs approximately 40 ms after either pin is initially pulled low. If the pin stays low for approximately 400 more ms, the volume changes again. The next change occurs 200 ms after this change. The fourth change occurs 120 ms after the third change. The fifth volume change occurs 80 ms after the fourth change. Thereafter, the volume changes at 1/4 the rate of the clock (every 40 ms).

Each cycle is registered on the rising clock edge and the volume is changed after the rising edge.

Figure 32 shows increasing volume using $\overline{\text{UP}}$, however, the volume is decreased using $\overline{\text{DOWN}}$ with the same timing.

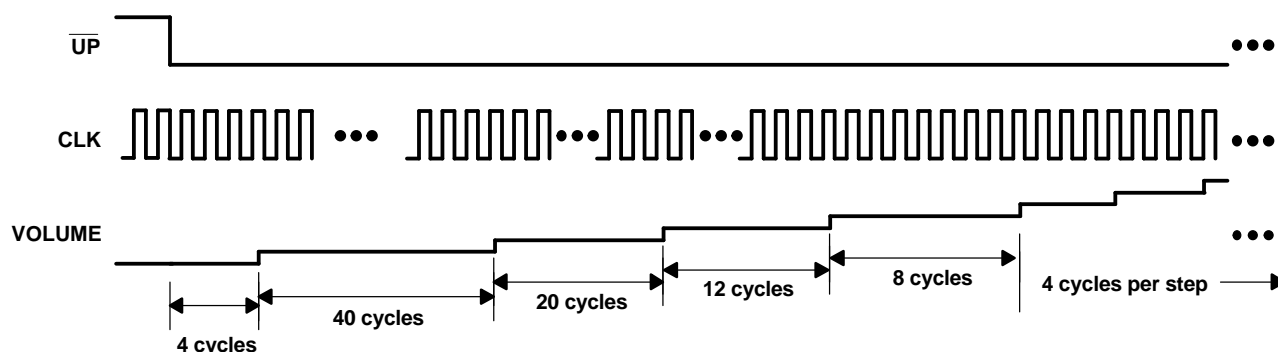


Figure 32. Internal Clock Timing Diagram

Changing Volume When Using the External Clock (Microprocessor Mode)

The user may remove the capacitor and run the external clock directly into the clock pin to override the internal clock generator. The maximum clock frequency is 10 kHz if using an external clock; however, a clock frequency less than 200 Hz is recommended in normal operation so the gain does not change too quickly causing a pop at the output. A 5-V, 50% duty-cycle clock must be used because the trip levels are 0.5 V and 4.5 V. The recommended way to adjust the volume is to use a gated clock and hold $\overline{\text{UP}}$ or $\overline{\text{DOWN}}$ low and cycle the clock pin four times to adjust the volume. The volume change is clocked in at the rising edge, so CLK should be held low when not changing volume. No delay is added when using an external clock, so it is very important to input only four clock cycles per volume change. Additional clock cycles per volume change are added to the next volume change. For example, if five clock cycles are input while $\overline{\text{UP}}$ is held low the first volume change, the volume change occurs after the third clock cycle the next time $\overline{\text{UP}}$ is held low. The figure below shows how volume increases with $\overline{\text{UP}}$ when an external clock is used. The sample and hold times for $\overline{\text{UP}}$ and $\overline{\text{DOWN}}$ are 100 ns. The same timing applies if using an external clock and decreasing the volume with $\overline{\text{DOWN}}$.

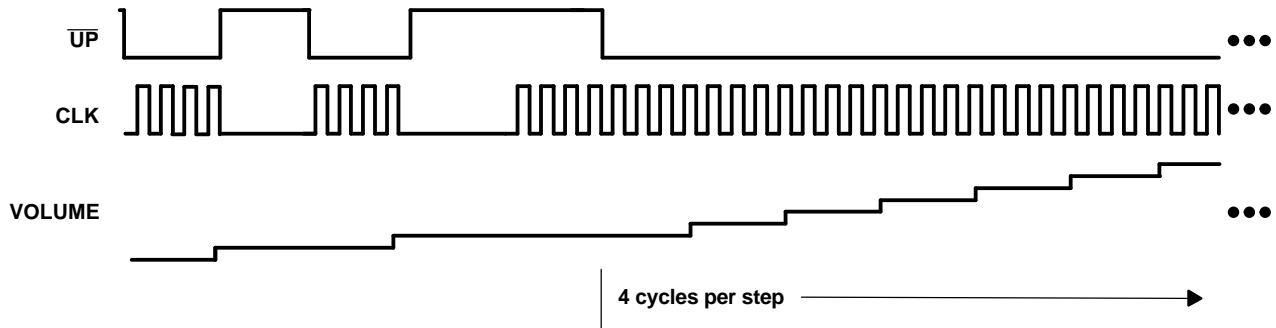


Figure 33. External Clock (4 Cycles Per Volume Change)

V_{AUX}

VAUX is used to keep power to the volume control memory. As long as the voltage at the VAUX pin is greater than 3 V, the device remembers what volume setting it was in, even when shut-down or powered down. The amplifier then returns to that volume setting after being powered up. If VAUX is pulled low, the device resets to a volume setting of -10 dB in BTL and -16 dB in SE mode. If VAUX is pulled below ground, the device could be damaged. Even if VAUX is connected to just one voltage, it must be connected through a diode so VAUX is not pulled below ground. The recommended circuit to keep VAUX high when power down is shown below.

To ensure proper operation, the V_{AUX} voltage must not drop below 1.5 V. If the voltage falls below 1.5 V, the stability of the TPA0252 could be compromised. However, this does not damage the device; normal functionality resumes once the V_{AUX} voltage is at or above 1.5 V.

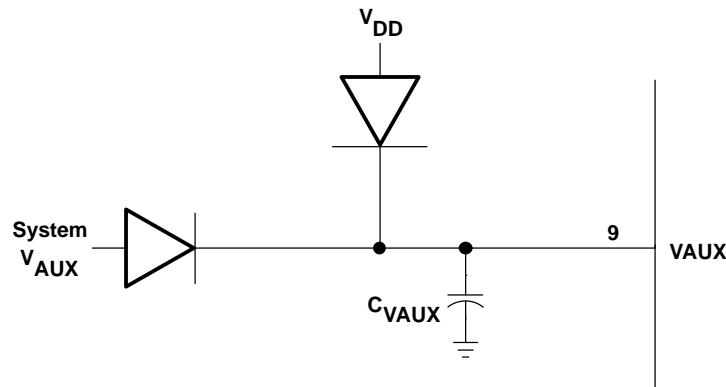


Figure 34. Recommended System VAUX Circuit

The diodes in Figure 34 need to have a low threshold voltage and low leakage current. This circuit allows VAUX to remain high even when V_{DD} and system V_{AUX} are removed. The formula for calculating how long the volume is remembered if V_{DD} and system V_{AUX} is removed or pulled low is shown below. The diode used in the example has a forward voltage, V_F of 0.7 V and 25 nA of leakage current, I_R.

- $t_{\text{decay}} = C_{\text{VAUX}} \times ((V_{\text{DD}} \text{ or system } V_{\text{AUX}}) - V_{\text{F}} - \text{VAUXmin}) / (2 \times I_{\text{R}} + I_{\text{DD(VAUX)}})$
- $t_{\text{decay}} = 0.47 \mu\text{F} \times (5\text{V} - 0.7\text{V} - 3\text{V}) / (25 \text{ nA} \times 2 + 0.7 \text{ nA})$
- $t_{\text{decay}} = 12 \text{ seconds}$

INPUT RESISTANCE

The gain is set by varying the input resistance of the amplifier, which can range from its smallest value to over six times that value. As a result, if a single capacitor is used in the input high pass filter, the -3 dB or cut-off frequency also changes by over six times. Connecting an additional resistor from the input pin of the amplifier to ground, as shown in Figure 35, reduces the cutoff-frequency variation.

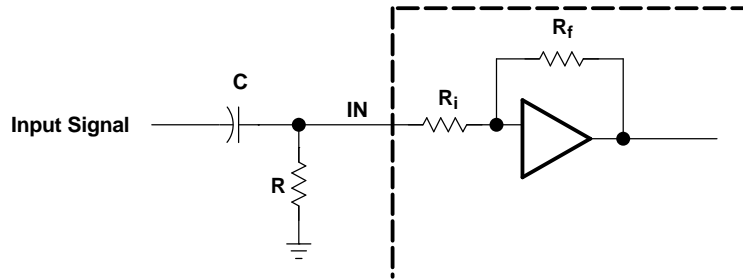


Figure 35. Resistor on Input for Cut-Off Frequency

The input resistance at each gain setting is given in the graph for Input Impedance vs Gain in the Typical Characteristics section.

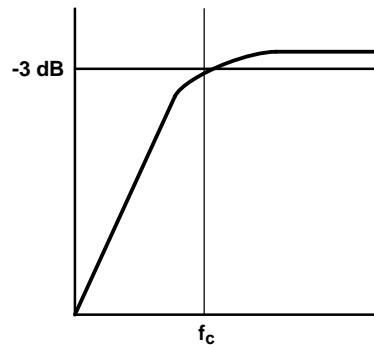
The –3-dB frequency can be calculated using Equation 2.

$$f_{-3\text{ dB}} = \frac{1}{2\pi C(R \parallel R_i)} \quad (2)$$

To increase filter accuracy, increase the value of the capacitor and decrease the value of the resistor to ground. In addition, the order of the filter can be increased.

Input Capacitor, C_i

In the typical application an input capacitor, C_i , is required to allow the amplifier to bias the input signal to the proper dc level for optimum operation. In this case, C_i and the input impedance of the amplifier, Z_i , form a high-pass filter with the corner frequency determined in Equation 3.



$$f_{c(\text{highpass})} = \frac{1}{2\pi Z_i C_i} \quad (3)$$

The value of C_i is important to consider as it directly affects the bass (low frequency) performance of the circuit. Consider the example where Z_i is 15 k Ω (from Figure 28) and the specification calls for a flat bass response down to 40 Hz. Equation 3 is reconfigured as Equation 4.

$$C_i = \frac{1}{2\pi Z_i f_c} \quad (4)$$

In this example, C_i is 0.27 μF , so one would likely choose a value in the range of 0.27 μF to 1 μF . A further consideration for this capacitor is the leakage path from the input source through the input network (C_i) and the feedback network to the load. This leakage current creates a dc offset voltage at the input to the amplifier that reduces useful headroom, especially in high gain applications. For this reason a low-leakage tantalum or ceramic capacitor is the best choice. When polarized capacitors are used, the positive side of the capacitor faces the amplifier input in most applications as the dc level there is held at $V_{DD}/2$, which is likely higher than the source dc level. Note that it is important to confirm the capacitor polarity in the application.

POWER SUPPLY DECOUPLING, $C_{(S)}$

This high-performance CMOS audio amplifier requires adequate power-supply decoupling to minimize output total harmonic distortion (THD). Power-supply decoupling also prevents oscillations with long lead lengths between the amplifier and the speaker. Optimum decoupling is achieved by using two capacitors of different types that target different types of noise on the power-supply leads. To filter high-frequency transients, spikes, or digital hash on the line, a good low equivalent-series-resistance (ESR) ceramic capacitor, typically 0.1 μF , placed as close as possible to the device V_{DD} lead, works best. For filtering low-frequency noise signals, an aluminum electrolytic capacitor of 10 μF or greater placed near the audio power amplifier is recommended.

MIDRAIL BYPASS CAPACITOR, $C_{(\text{BYP})}$

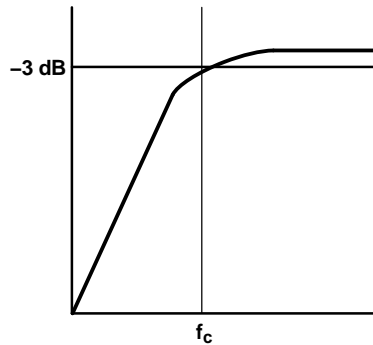
The midrail bypass capacitor, $C_{(\text{BYP})}$, is the most critical capacitor and serves several important functions. During startup or recovery from shutdown mode, $C_{(\text{BYP})}$ determines the rate at which the amplifier starts up. The second function is to reduce power-supply noise coupling into the output drive signal. This noise is from the midrail generation circuit internal to the amplifier, and appears as degraded PSRR and THD+N.

Bypass capacitor ($C_{(\text{BYP})}$) values of 0.47- μF to 1- μF , and ceramic or tantalum low-ESR capacitors are recommended for best THD and noise performance.

OUTPUT COUPLING CAPACITOR, $C_{(C)}$

In a typical single-supply SE configuration, an output coupling capacitor ($C_{(C)}$) is required to block the dc bias at the output of the amplifier to prevent dc currents in the load. As with the input coupling capacitor, the output coupling capacitor and impedance of the load form a high-pass filter governed by Equation 5.

$$f_{c(\text{high})} = \frac{1}{2\pi R_L C_{(C)}}$$



(5)

The main disadvantage, from a performance standpoint, is that load impedances are typically small, driving the low-frequency corner higher, degrading the bass response. Large values of $C_{(C)}$ are required to pass low frequencies into the load. Consider the example where a $C_{(C)}$ of 330 μF is chosen and loads include 3 Ω , 4 Ω , 8 Ω , 32 Ω , 10 k Ω , and 47 k Ω . Table 1 summarizes the frequency response characteristics of each configuration.

Table 1. Common Load Impedances Vs Low Frequency Output Characteristics in SE Mode

R_L	$C_{(C)}$	LOWEST FREQUENCY
3 Ω	330 μF	161 Hz
4 Ω	330 μF	120 Hz
8 Ω	330 μF	60 Hz
32 Ω	330 μF	15 Hz
10,000 Ω	330 μF	0.05 Hz
47,000 Ω	330 μF	0.01 Hz

As Table 1 indicates, most of the bass response is attenuated into a 4-Ω load, an 8-Ω load is adequate, headphone response is good, and drive into line level inputs (a home stereo for example) is exceptional.

USING LOW-ESR CAPACITORS

Low-ESR capacitors are recommended throughout this applications section. A real (as opposed to ideal) capacitor can be modeled simply as a resistor in series with an ideal capacitor. The voltage drop across this resistor minimizes the beneficial effects of the capacitor in the circuit. The lower the equivalent value of this resistance the more the real capacitor behaves like an ideal capacitor.

BRIDGED-TIED LOAD VS SINGLE-ENDED MODE

Figure 36 shows a Class-AB audio power amplifier (APA) in a BTL configuration. The TPA0252 amplifier consists of two Class-AB amplifiers driving both ends of the load. There are several potential benefits to this differential drive configuration, but, initially consider power to the load. The differential drive to the speaker means that as one side is slewing up, the other side is slewing down, and vice versa. This in effect doubles the voltage swing on the load as compared to a ground referenced load. Substituting $2 \times V_{O(PP)}$ into the power equation, where voltage is squared, yields 4× the output power from the same supply rail and load impedance (see Equation 6).

$$V_{(rms)} = \frac{V_{O(PP)}}{2\sqrt{2}}$$

$$\text{Power} = \frac{V_{(rms)}^2}{R_L}$$

(6)

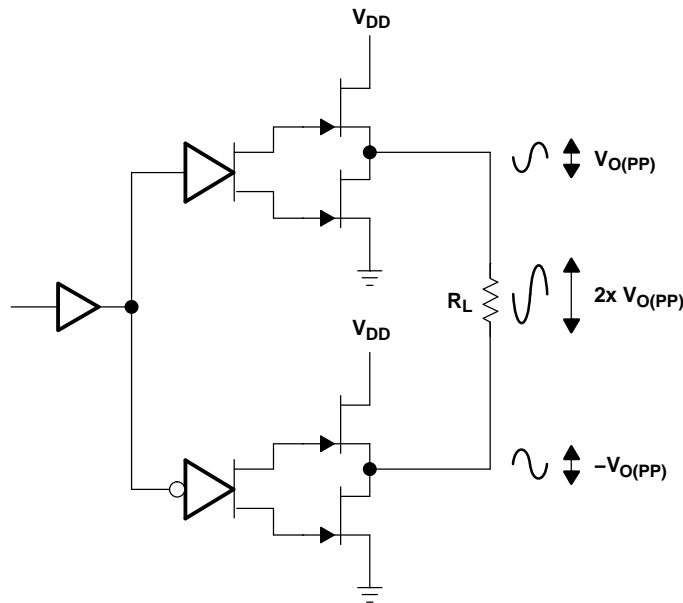


Figure 36. Bridge-Tied Load Configuration

In a typical computer sound channel operating at 5 V, bridging raises the power into an 8-Ω speaker from a singled-ended (SE, ground reference) limit of 250 mW to 1 W. In sound power, this is a 6-dB improvement — loudness that can be heard. In addition to increased power there are frequency-response concerns. Consider the single-supply SE configuration shown in Figure 37. A coupling capacitor is required to block the dc offset voltage from reaching the load. These capacitors can be quite large (approximately 33 μF to 1000 μF), so they tend to be expensive, heavy, occupy valuable PCB area, and have the additional drawback of limiting the low-frequency performance of the system. This frequency-limiting effect is due to the high-pass filter network created with the speaker impedance and the coupling capacitance, and is calculated with Equation 7.

$$f_{(c)} = \frac{1}{2\pi R_L C_{(C)}} \quad (7)$$

For example, a 68- μ F capacitor with an 8- Ω speaker would attenuate low frequencies below 293 Hz. The BTL configuration cancels the dc offsets, eliminating the need for blocking capacitors. Low-frequency performance is then limited only by the input network and speaker response. Cost and PCB space are also minimized by eliminating the bulky coupling capacitor.

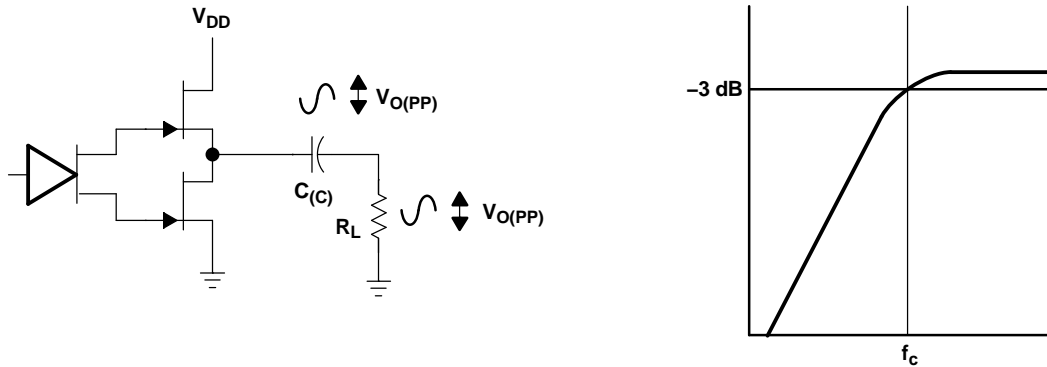


Figure 37. Single-Ended Configuration and Frequency Response

Increasing power to the load does carry a penalty of increased internal power dissipation. The increased dissipation is understandable, since the BTL configuration produces 4 \times the output power of the SE configuration. Internal dissipation versus output power is discussed further in the *Crest Factor and Thermal Considerations* section.

Single-Ended Operation

In SE mode (see Figure 37), the load is driven from the primary amplifier output for each channel (LOUT+ and ROUT+).

The amplifier switches to single-ended operation when the SE/BTL terminal is held high. This puts the negative outputs in a high-impedance state, and reduces the amplifier's gain by 6 dB.

BTL AMPLIFIER EFFICIENCY

Class-AB amplifiers are inefficient, primarily because of voltage drop across the output-stage transistors. The two components of the internal voltage drop are the headroom or dc voltage drop that varies inversely to output power, and the sine wave nature of the output. The total voltage drop can be calculated by subtracting the RMS value of the output voltage from V_{DD} . The internal voltage drop multiplied by the RMS value of the supply current ($I_{DD(rms)}$) determines the internal power dissipation of the amplifier.

An easy-to-use equation to calculate efficiency begins as the ratio of power from the power supply to the power delivered to the load. To accurately calculate the RMS and average values of power in the load and in the amplifier, the current and voltage waveforms must be understood (see Figure 38).

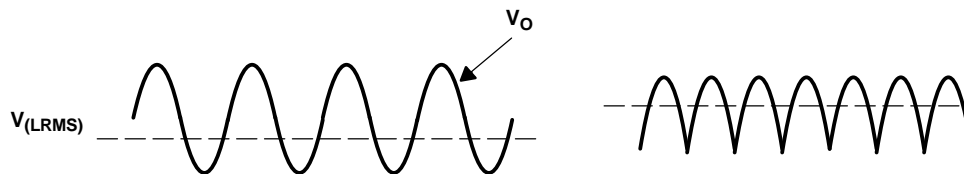


Figure 38. Voltage and Current Waveforms for BTL Amplifiers

Although the voltages and currents for SE and BTL are sinusoidal in the load, currents from the supply are very different between SE and BTL configurations. In an SE application, the current waveform is a half-wave rectified shape, whereas in BTL it is a full-wave rectified waveform. Therefore, RMS conversion factors are different. Keep in mind that for most of the waveform both the push and pull transistors are not on at the same time, which supports the fact that each amplifier in the BTL device only draws current from the supply for half the waveform. Equation 8 and Equation 9 are the basis for calculating amplifier efficiency.

$$\text{Efficiency of a BTL amplifier} = \frac{P_L}{P_{SUP}}$$

Where:

$$P_L = \frac{V_{L\text{rms}}^2}{R_L}, \text{ and } V_{LRMS} = \frac{V_P}{\sqrt{2}}, \text{ therefore, } P_L = \frac{V_P^2}{2R_L}$$

$$\text{and } P_{SUP} = V_{DD} I_{DD\text{avg}} \quad \text{and} \quad I_{DD\text{avg}} = \frac{1}{\pi} \int_0^\pi \frac{V_P}{R_L} \sin(t) dt = -\frac{1}{\pi} \times \frac{V_P}{R_L} [\cos(t)]_0^\pi = \frac{2V_P}{\pi R_L}$$

Therefore,

$$P_{SUP} = \frac{2 V_{DD} V_P}{\pi R_L}$$

substituting P_L and P_{SUP} into equation 7,

$$\text{Efficiency of a BTL amplifier} = \frac{\frac{V_P^2}{2 R_L}}{\frac{2 V_{DD} V_P}{\pi R_L}} = \frac{\pi V_P}{4 V_{DD}}$$

Where:

$$V_P = \sqrt{2 P_L R_L} \tag{8}$$

Therefore,

$$\eta_{BTL} = \frac{\pi \sqrt{2 P_L R_L}}{4 V_{DD}}$$

P_L = Power delivered to load	V_P = Peak voltage on BTL load
P_{SUP} = Power drawn from power supply	$I_{DD\text{avg}}$ = Average current drawn from the power supply
V_{LRMS} = RMS voltage on BTL load	V_{DD} = Power supply voltage
R_L = Load resistance	η_{BTL} = Efficiency of a BTL amplifier

(9)

Table 2 employs Equation 9 to calculate efficiencies for four different output-power levels. Note that the efficiency of the amplifier is quite low for lower power levels and rises sharply as power to the load is increased resulting in a nearly flat internal power dissipation over the normal operating range. Note that the internal dissipation at full output power is less than in the half-power range. Calculating the efficiency for a specific system is the key to proper power supply design. For a stereo 1-W audio system with 8-Ω loads and a 5-V supply, the maximum draw on the power supply is almost 3.25 W.

Table 2. Efficiency vs Output Power in 5-V, 8-Ω BTL Systems

OUTPUT POWER (W)	EFFICIENCY (%)	PEAK VOLTAGE (V)	INTERNAL DISSIPATION (W)
0.25	31.4	2.00	0.55
0.50	44.4	2.83	0.62
1.00	62.8	4.00	0.59
1.25	70.2	4.47 ⁽¹⁾	0.53

(1) High peak voltages cause the THD to increase.

A final point to remember about Class-AB amplifiers (either SE or BTL) is how to manipulate the terms in the efficiency equation to utmost advantage when possible. Note that in Equation 9, V_{DD} is in the denominator. This indicates that as V_{DD} goes down, efficiency goes up.

Crest Factor and Thermal Considerations

Class-AB power amplifiers dissipate a significant amount of heat in the package under normal operating conditions. A typical music CD requires 12 dB to 15 dB of dynamic range, or headroom, above the average power output, to pass the loudest portions of the signal without distortion. In other words, music typically has a crest factor between 12 dB and 15 dB. When determining the optimal ambient operating temperature, the internal dissipated power at the average output power level must be used. From the data sheet, one can see that when the device is operating from a 5-V supply into a 3-Ω speaker that 4-W peaks are available. Use Equation 10 to convert watts to dB.

$$P_{dB} = 10 \text{Log} \frac{P_W}{P_{ref}} = 10 \text{Log} \frac{4 \text{ W}}{1 \text{ W}} = 6 \text{ dB} \quad (10)$$

Subtracting the headroom restriction to obtain the average listening level without distortion yields:

$$\begin{aligned} 6 \text{ dB} - 15 \text{ dB} &= -9 \text{ dB (15-dB crest factor)} \\ 6 \text{ dB} - 12 \text{ dB} &= -6 \text{ dB (12-dB crest factor)} \\ 6 \text{ dB} - 9 \text{ dB} &= -3 \text{ dB (9-dB crest factor)} \\ 6 \text{ dB} - 6 \text{ dB} &= 0 \text{ dB (6-dB crest factor)} \\ 6 \text{ dB} - 3 \text{ dB} &= 3 \text{ dB (3-dB crest factor)} \end{aligned}$$

Converting dB back into watts:

$$\begin{aligned} P_W &= 10^{P_{dB}/10} \times P_{ref} \\ &= 63 \text{ mW (18-dB crest factor)} \\ &= 125 \text{ mW (15-dB crest factor)} \\ &= 250 \text{ mW (9-dB crest factor)} \\ &= 500 \text{ mW (6-dB crest factor)} \\ &= 1000 \text{ mW (3-dB crest factor)} \\ &= 2000 \text{ mW (0-dB crest factor)} \end{aligned}$$

This is valuable information to consider when estimating the heat-dissipation requirements for the amplifier system. Comparing the worst case, 2 W of continuous power output with a 3-dB crest factor, against 12-dB and 15-dB applications, drastically affects maximum ambient temperature ratings for the system. Using the power dissipation curves for a 5-V, 3-Ω system, the internal dissipation and maximum ambient temperatures are shown in the table below.

Table 3. TPA0252 Power Rating, 5-V, 3-Ω, Stereo

PEAK OUTPUT POWER (W)	AVERAGE OUTPUT POWER	POWER DISSIPATION (W/Channel)	MAXIMUM AMBIENT TEMPERATURE ⁽¹⁾
4	2 W (3 dB)	1.7	-3°C
4	1000 mW (6 dB)	1.6	6°C
4	500 mW (9 dB)	1.3	24°C
4	250 mW (12 dB)	1.0	51°C
4	125 mW (15 dB)	0.9	78°C
4	63 mW (18 dB)	0.6	85°C ⁽¹⁾

(1) Package limited to 85°C ambient

Table 4. TPA0252 Power Rating, 5-V, 8-Ω, Stereo

PEAK OUTPUT POWER (W)	AVERAGE OUTPUT POWER	POWER DISSIPATION (W/Channel)	MAXIMUM AMBIENT TEMPERATURE
2.5	1250 mW (3-dB crest factor)	0.53	85°C ⁽¹⁾
2.5	1000 mW (4-dB crest factor)	0.59	85°C ⁽¹⁾
2.5	500 mW (7-dB crest factor)	0.62	85°C ⁽¹⁾
2.5	250 mW (10-dB crest factor)	0.55	85°C ⁽¹⁾

(1) Package limited to 85°C ambient

The maximum dissipated power (P_{Dmax}) is reached at a much lower output power level for a 3-Ω load than for an 8-Ω load. As a result, the formula in Equation 11 for calculating P_{Dmax} may be used for a 3-Ω application:

$$P_{Dmax} = \frac{2V_{DD}^2}{\pi^2 R_L} \quad (11)$$

However, in the case of an 8-Ω load, the P_{Dmax} occurs at a point well above the normal operating power level. The amplifier may therefore be operated at a higher ambient temperature than required by the P_{Dmax} formula for an 8-Ω load, but do not exceed the maximum ambient temperature of 85°.

The maximum ambient temperature depends on the heatsinking ability of the PCB system. The derating factor for the PWP package is shown in the dissipation rating table. Converting this to θ_{JA} :

$$\theta_{JA} = \frac{1}{\text{Derating Factor}} = \frac{1}{0.022} = 45^\circ\text{C/W} \quad (12)$$

To calculate maximum ambient temperatures, first consider that the numbers from the dissipation graphs are per-channel, so the dissipated heat is doubled for two-channel operation. Given θ_{JA} , the maximum allowable junction temperature, and the total internal dissipation, the maximum ambient temperature can be calculated using Equation 13. The maximum recommended junction temperature for the device is 150°C. The internal dissipation figures are taken from the Power Dissipation vs Output Power graphs.

$$\begin{aligned} T_{A \text{ Max}} &= T_{J \text{ Max}} - \theta_{JA} P_D \\ &= 150 - 45(0.6 \times 2) = 96^\circ\text{C (15-dB crest factor)} \end{aligned} \quad (13)$$

NOTE:

Internal dissipation of 0.6 W is estimated for a 2-W system with 15-dB crest factor per channel.

Due to package limitations, the actual T_{AMAX} is 85°C.

The power rating tables show that for some applications, no airflow is required to keep junction temperatures in the specified range. The internal thermal protection turns the device off at junction temperatures higher than 150°C to prevent damage to the IC. The power rating tables in this section were calculated for maximum listening volume without distortion. When the output level is reduced the numbers in the table change significantly. Also, using 8-Ω speakers dramatically increases the thermal performance by increasing amplifier efficiency.

PC-BEEP OPERATION

The PC-BEEP input allows a system beep to be sent directly from a computer through the amplifier to the speakers with few external components. The input is activated automatically. When the PC-BEEP input is active, both LINEIN and HPIN inputs are deselected, and both the left and right channels are driven in BTL mode with the signal from PC-BEEP. The gain from the PC-BEEP input to the speakers is fixed at 0.3 V/V and is independent of the volume setting. When the PC-BEEP input is deselected, the amplifier returns to the previous operating mode and volume setting. Furthermore, if the amplifier is in shutdown mode, activating PC-BEEP takes the device out of shutdown, outputs the PC-BEEP signal, then returns the amplifier to shutdown mode.

The preferred input signal is a square wave or pulse train. To be accurately detected, the signal must have a minimum of $1.5 \cdot V_{pp}$ amplitude, rise and fall times of less than $0.1 \mu s$ and a minimum of eight rising edges. When the signal is no longer detected, the amplifier returns to its previous operating mode and volume setting.

To ac-couple the PC-BEEP input, choose a coupling-capacitor value to satisfy Equation 14.

$$C_{PCB} \geq \frac{1}{2\pi f_{PCB} (100 \text{ k}\Omega)} \quad (14)$$

The PC-BEEP input can also be dc-coupled to avoid using this coupling capacitor. The pin normally rests at midrail when no signal is present.

SE/BTL Operation

The ability of the TPA0252 to easily switch between BTL and SE modes is one of its most important cost saving features. This feature eliminates the requirement for an additional headphone amplifier in applications where internal stereo speakers are driven in BTL mode but external headphone or speakers must be accommodated. Internal to the TPA0252, two separate amplifiers drive OUT+ and OUT-. The SE/BTL input (terminal 22) controls the operation of the follower amplifier that drives LOUT- and ROUT-. When SE/BTL is held low, the amplifier is on and the TPA0252 is in the BTL mode. When SE/BTL is held high, the OUT- amplifiers are in a high output impedance state, which configures the TPA0252 as an SE driver from LOUT+ and ROUT+ (terminals 23 and 13). I_{DD} is reduced by approximately one-half in SE mode. Control of the SE/BTL input can be from a logic-level CMOS source or, more typically, from a resistor divider network as shown in Figure 39.

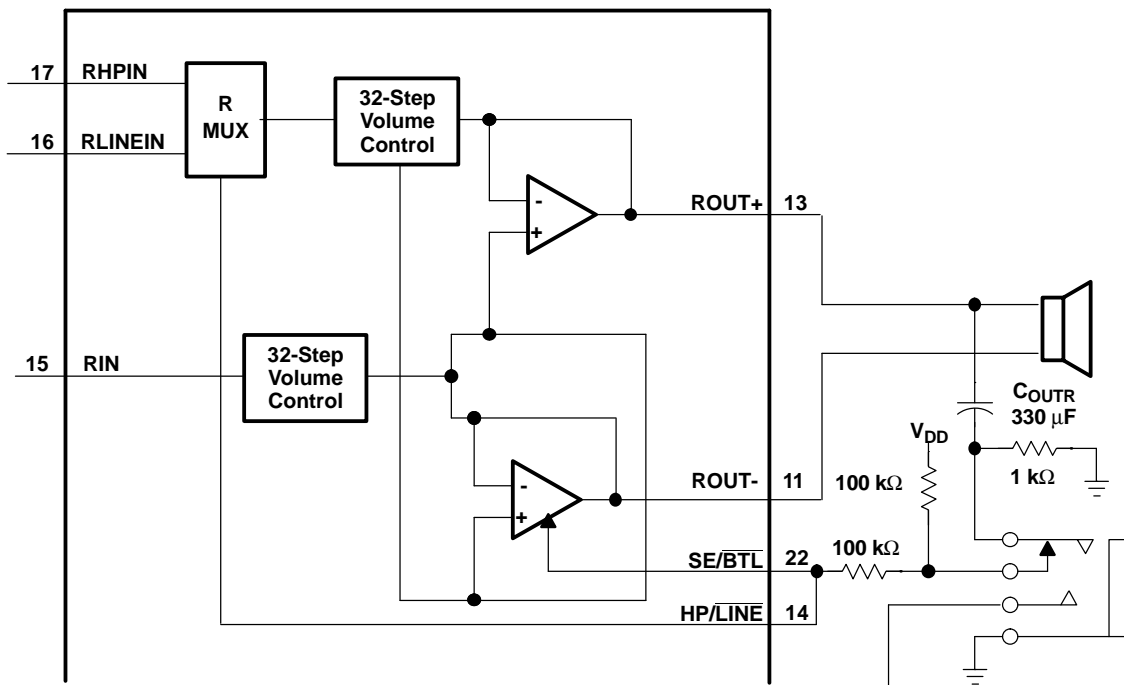


Figure 39. TPA0252 Resistor Divider Network Circuit

Using a readily available 1/8-in. (3.5 mm) stereo headphone jack, the control switch is closed when no plug is inserted. When closed, the 100-k Ω /1-k Ω divider pulls the SE/BTL input low. When a plug is inserted, the 1-k Ω resistor is disconnected and the SE/BTL input is pulled high. When the input goes high, the OUT– amplifier is shut down causing the speaker to mute (virtually open-circuits the speaker). The OUT+ amplifier then drives through the output capacitor (C_{OUT}) into the headphone jack.

Input MUX Operation

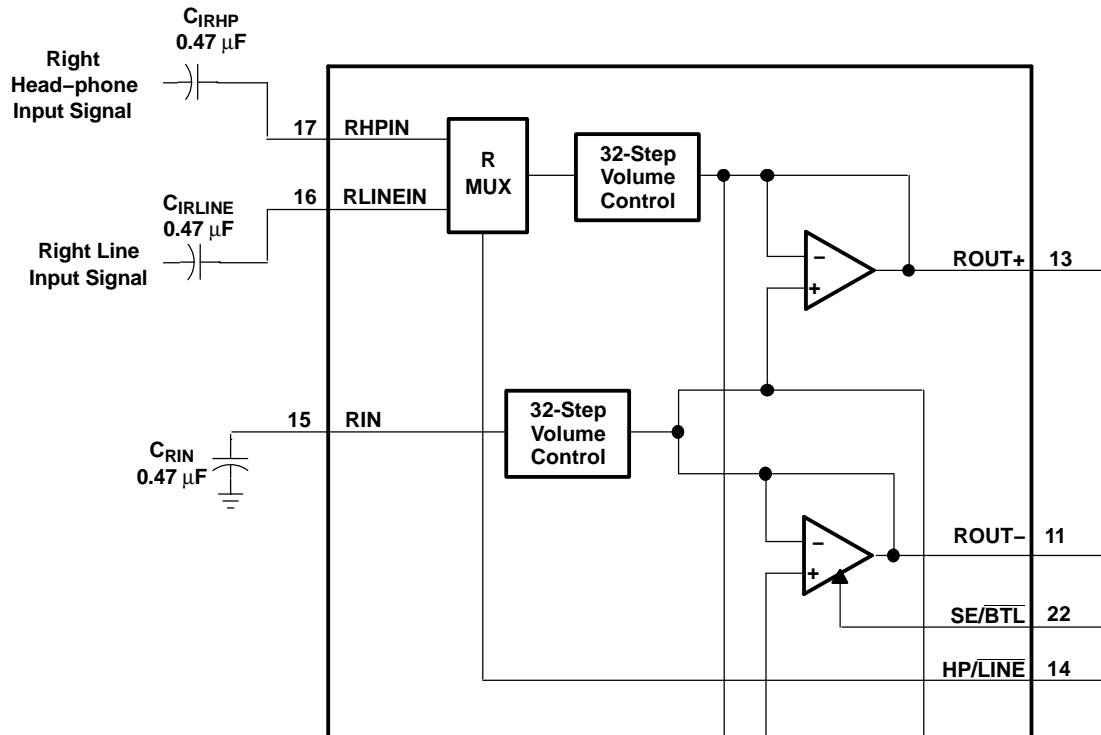


Figure 40. TPA0252 Example Input MUX Circuit

The TPA0252 offers the capability for the designer to use separate headphone inputs (RHPIN, LHPIN) and line inputs (RLINEIN, LLINEIN). The inputs can be different if the input signal is single-ended. If using a differential input signal, the inputs must be the same because the inputs share a common RIN, LIN. Although the typical application in Figure 30 shows the input mux control signal HP/LINE tied to SE/BTL, that configuration is not required. The input mux can be used to select between two inputs that are used in both SE and BTL modes.

If using the TPA0232 with a single-ended input, the RIN and LIN terminals must be tied through a capacitor to ground, as shown in Figure 40. RIN and LIN must not be tied to bypass or an offset occurs on the output causing the device to pop when turning on and off.

Input coupling capacitors can be eliminated when using differential inputs, but are used to obtain maximum output power. If the input capacitors are eliminated, the dc offset must match the voltage on BYPASS or the output power is limited.

Shutdown Modes

The TPA0252 employs a shutdown mode of operation designed to reduce supply current, I_{DD} , to the absolute minimum level during periods of nonuse for battery-power conservation. The **SHUTDOWN** input terminal is held high during normal operation when the amplifier is in use. Pulling **SHUTDOWN** low causes the outputs to mute and the amplifier to enter a low-current state, $I_{DD} = 150 \mu\text{A}$. **SHUTDOWN** must never be left unconnected because amplifier operation would be unpredictable.

Shutdown and Mute Mode Functions

INPUTS ⁽¹⁾			AMPLIFIER STATE	
SE/BTL	HP/LINE	SHUTDOWN	INPUT	OUTPUT
Low	Low	High	L/R Line	BTL
X	X	Low	X	Mute
Low	High	High	L/R HP	BTL
High	Low	High	L/R Line	SE
High	High	High	L/R HP	SE

(1) Inputs must never be left unconnected.

PACKAGING INFORMATION

Orderable Device	Status ⁽¹⁾	Package Type	Package Drawing	Pins	Package Qty	Eco Plan ⁽²⁾	Lead/Ball Finish	MSL Peak Temp ⁽³⁾
TPA0252PWP	ACTIVE	HTSSOP	PWP	24	60	Green (RoHS & no Sb/Br)	CU NIPDAU	Level-2-260C-1 YEAR
TPA0252PWPG4	ACTIVE	HTSSOP	PWP	24	60	Green (RoHS & no Sb/Br)	CU NIPDAU	Level-2-260C-1 YEAR
TPA0252PWPR	ACTIVE	HTSSOP	PWP	24	2000	Green (RoHS & no Sb/Br)	CU NIPDAU	Level-2-260C-1 YEAR
TPA0252PWPRG4	ACTIVE	HTSSOP	PWP	24	2000	Green (RoHS & no Sb/Br)	CU NIPDAU	Level-2-260C-1 YEAR

⁽¹⁾ The marketing status values are defined as follows:

ACTIVE: Product device recommended for new designs.

LIFEBUY: TI has announced that the device will be discontinued, and a lifetime-buy period is in effect.

NRND: Not recommended for new designs. Device is in production to support existing customers, but TI does not recommend using this part in a new design.

PREVIEW: Device has been announced but is not in production. Samples may or may not be available.

OBSOLETE: TI has discontinued the production of the device.

⁽²⁾ Eco Plan - The planned eco-friendly classification: Pb-Free (RoHS), Pb-Free (RoHS Exempt), or Green (RoHS & no Sb/Br) - please check <http://www.ti.com/productcontent> for the latest availability information and additional product content details.

TBD: The Pb-Free/Green conversion plan has not been defined.

Pb-Free (RoHS): TI's terms "Lead-Free" or "Pb-Free" mean semiconductor products that are compatible with the current RoHS requirements for all 6 substances, including the requirement that lead not exceed 0.1% by weight in homogeneous materials. Where designed to be soldered at high temperatures, TI Pb-Free products are suitable for use in specified lead-free processes.

Pb-Free (RoHS Exempt): This component has a RoHS exemption for either 1) lead-based flip-chip solder bumps used between the die and package, or 2) lead-based die adhesive used between the die and leadframe. The component is otherwise considered Pb-Free (RoHS compatible) as defined above.

Green (RoHS & no Sb/Br): TI defines "Green" to mean Pb-Free (RoHS compatible), and free of Bromine (Br) and Antimony (Sb) based flame retardants (Br or Sb do not exceed 0.1% by weight in homogeneous material)

⁽³⁾ MSL, Peak Temp. -- The Moisture Sensitivity Level rating according to the JEDEC industry standard classifications, and peak solder temperature.

Important Information and Disclaimer: The information provided on this page represents TI's knowledge and belief as of the date that it is provided. TI bases its knowledge and belief on information provided by third parties, and makes no representation or warranty as to the accuracy of such information. Efforts are underway to better integrate information from third parties. TI has taken and continues to take reasonable steps to provide representative and accurate information but may not have conducted destructive testing or chemical analysis on incoming materials and chemicals. TI and TI suppliers consider certain information to be proprietary, and thus CAS numbers and other limited information may not be available for release.

In no event shall TI's liability arising out of such information exceed the total purchase price of the TI part(s) at issue in this document sold by TI to Customer on an annual basis.

TAPE AND REEL INFORMATION



QUADRANT ASSIGNMENTS FOR PIN 1 ORIENTATION IN TAPE



*All dimensions are nominal

Device	Package Type	Package Drawing	Pins	SPQ	Reel Diameter (mm)	Reel Width W1 (mm)	A0 (mm)	B0 (mm)	K0 (mm)	P1 (mm)	W (mm)	Pin1 Quadrant
TPA0252PWPR	HTSSOP	PWP	24	2000	330.0	16.4	6.95	8.3	1.6	8.0	16.0	Q1

TAPE AND REEL BOX DIMENSIONS

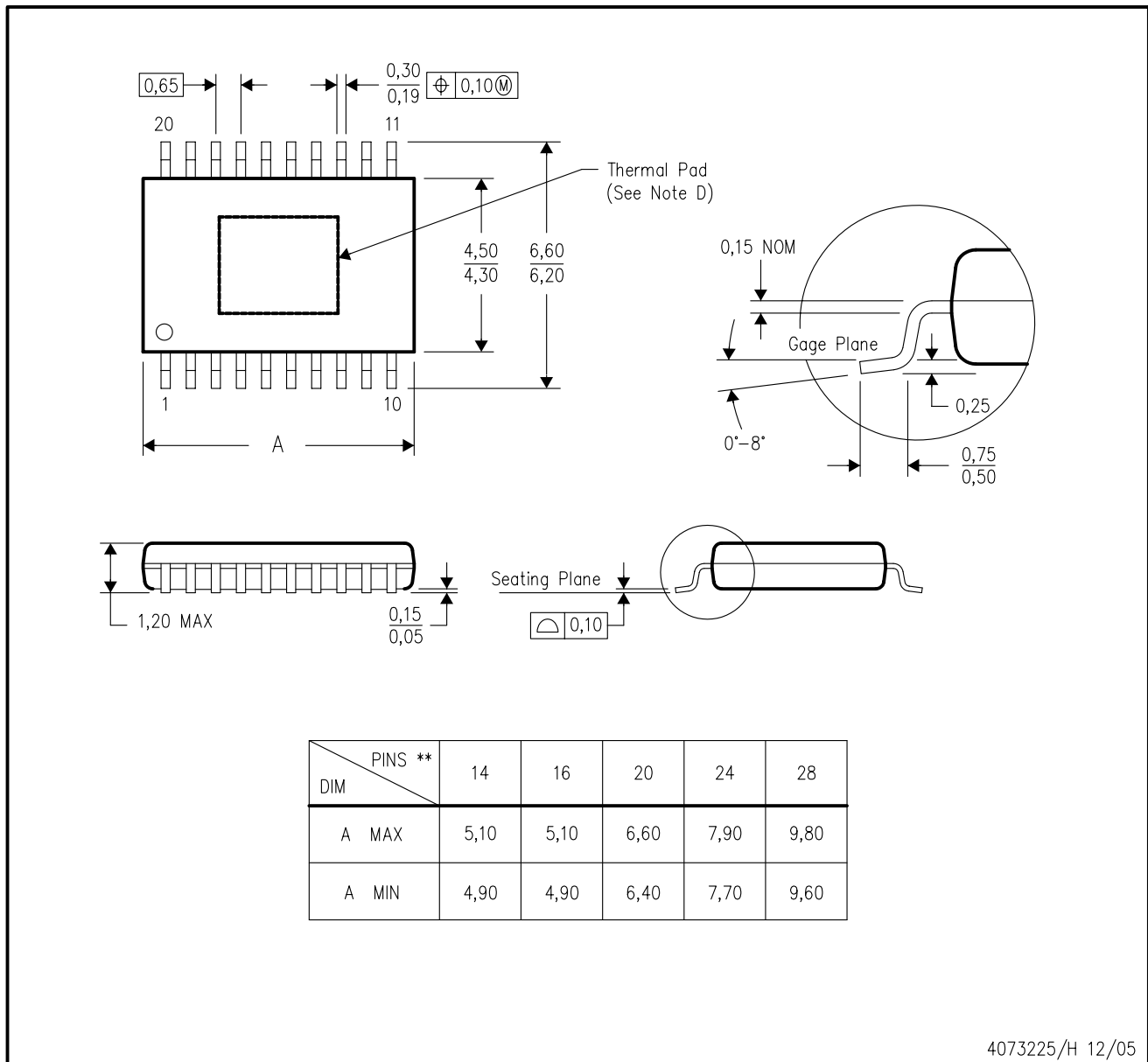


*All dimensions are nominal

Device	Package Type	Package Drawing	Pins	SPQ	Length (mm)	Width (mm)	Height (mm)
TPA0252PWPR	HTSSOP	PWP	24	2000	346.0	346.0	33.0

PWP (R-PDSO-G**) 20 PIN SHOWN

PowerPAD™ PLASTIC SMALL-OUTLINE PACKAGE



4073225/H 12/05

- NOTES:
- A. All linear dimensions are in millimeters.
 - B. This drawing is subject to change without notice.
 - C. Body dimensions do not include mold flash or protrusions. Mold flash and protrusion shall not exceed 0.15 per side.
 - D. This package is designed to be soldered to a thermal pad on the board. Refer to Technical Brief, PowerPad Thermally Enhanced Package, Texas Instruments Literature No. SLMA002 for information regarding recommended board layout. This document is available at www.ti.com <<http://www.ti.com>>.
 - E. Falls within JEDEC MO-153

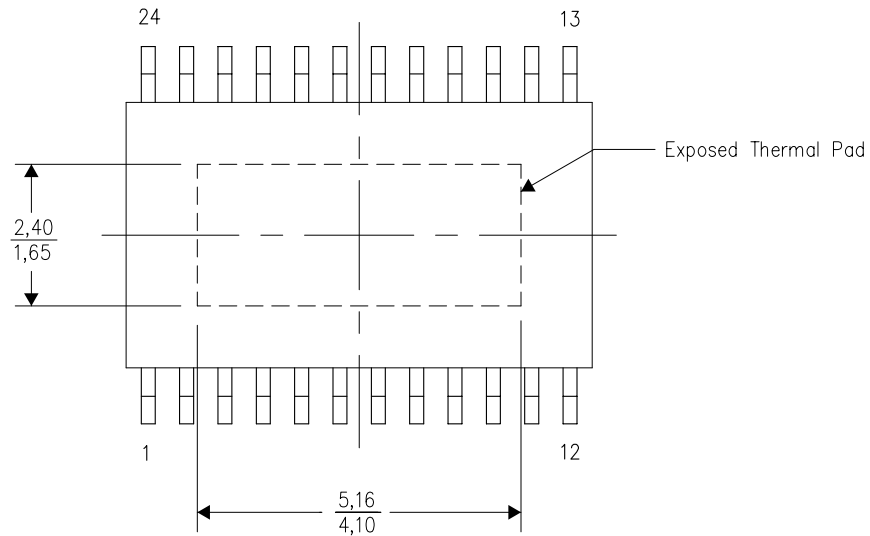
PowerPAD is a trademark of Texas Instruments.

THERMAL INFORMATION

This PowerPAD™ package incorporates an exposed thermal pad that is designed to be attached to a printed circuit board (PCB). The thermal pad must be soldered directly to the PCB. After soldering, the PCB can be used as a heatsink. In addition, through the use of thermal vias, the thermal pad can be attached directly to the appropriate copper plane shown in the electrical schematic for the device, or alternatively, can be attached to a special heatsink structure designed into the PCB. This design optimizes the heat transfer from the integrated circuit (IC).

For additional information on the PowerPAD package and how to take advantage of its heat dissipating abilities, refer to Technical Brief, PowerPAD Thermally Enhanced Package, Texas Instruments Literature No. SLMA002 and Application Brief, PowerPAD Made Easy, Texas Instruments Literature No. SLMA004. Both documents are available at www.ti.com.

The exposed thermal pad dimensions for this package are shown in the following illustration.

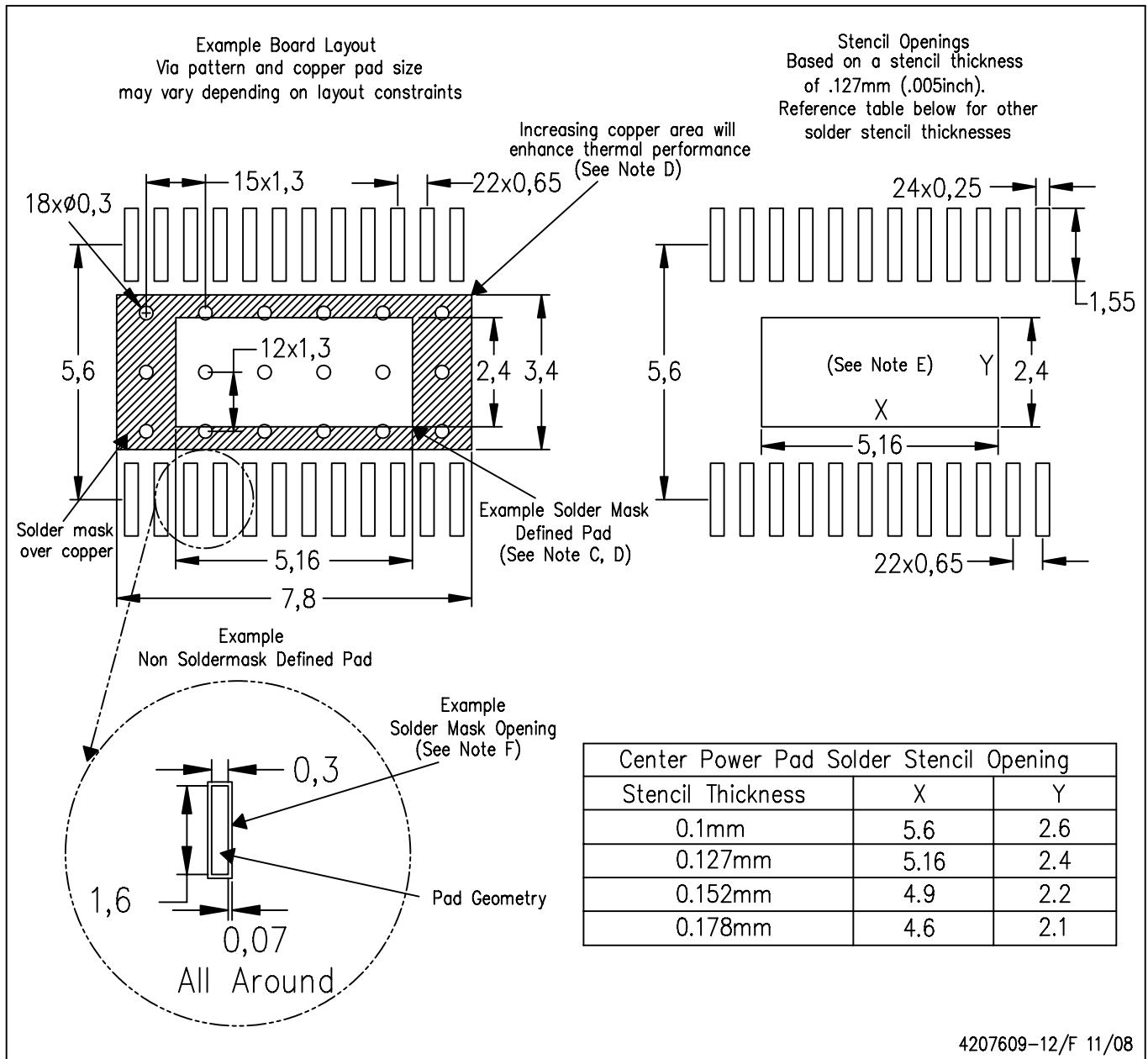


Top View

NOTE: All linear dimensions are in millimeters

Exposed Thermal Pad Dimensions

PWP (R-PDSO-G24) PowerPAD™



4207609-12/F 11/08

- NOTES:
- A. All linear dimensions are in millimeters.
 - B. This drawing is subject to change without notice.
 - C. Customers should place a note on the circuit board fabrication drawing not to alter the center solder mask defined pad.
 - D. This package is designed to be soldered to a thermal pad on the board. Refer to Technical Brief, PowerPad Thermally Enhanced Package, Texas Instruments Literature No. SLMA002, SLMA004, and also the Product Data Sheets for specific thermal information, via requirements, and recommended board layout. These documents are available at www.ti.com <<http://www.ti.com>>. Publication IPC-7351 is recommended for alternate designs.
 - E. Laser cutting apertures with trapezoidal walls and also rounding corners will offer better paste release. Customers should contact their board assembly site for stencil design recommendations. Example stencil design based on a 50% volumetric metal load solder paste. Refer to IPC-7525 for other stencil recommendations.
 - F. Customers should contact their board fabrication site for solder mask tolerances between and around signal pads.
- PowerPAD is a trademark of Texas Instruments.

IMPORTANT NOTICE

Texas Instruments Incorporated and its subsidiaries (TI) reserve the right to make corrections, modifications, enhancements, improvements, and other changes to its products and services at any time and to discontinue any product or service without notice. Customers should obtain the latest relevant information before placing orders and should verify that such information is current and complete. All products are sold subject to TI's terms and conditions of sale supplied at the time of order acknowledgment.

TI warrants performance of its hardware products to the specifications applicable at the time of sale in accordance with TI's standard warranty. Testing and other quality control techniques are used to the extent TI deems necessary to support this warranty. Except where mandated by government requirements, testing of all parameters of each product is not necessarily performed.

TI assumes no liability for applications assistance or customer product design. Customers are responsible for their products and applications using TI components. To minimize the risks associated with customer products and applications, customers should provide adequate design and operating safeguards.

TI does not warrant or represent that any license, either express or implied, is granted under any TI patent right, copyright, mask work right, or other TI intellectual property right relating to any combination, machine, or process in which TI products or services are used. Information published by TI regarding third-party products or services does not constitute a license from TI to use such products or services or a warranty or endorsement thereof. Use of such information may require a license from a third party under the patents or other intellectual property of the third party, or a license from TI under the patents or other intellectual property of TI.

Reproduction of TI information in TI data books or data sheets is permissible only if reproduction is without alteration and is accompanied by all associated warranties, conditions, limitations, and notices. Reproduction of this information with alteration is an unfair and deceptive business practice. TI is not responsible or liable for such altered documentation. Information of third parties may be subject to additional restrictions.

Resale of TI products or services with statements different from or beyond the parameters stated by TI for that product or service voids all express and any implied warranties for the associated TI product or service and is an unfair and deceptive business practice. TI is not responsible or liable for any such statements.

TI products are not authorized for use in safety-critical applications (such as life support) where a failure of the TI product would reasonably be expected to cause severe personal injury or death, unless officers of the parties have executed an agreement specifically governing such use. Buyers represent that they have all necessary expertise in the safety and regulatory ramifications of their applications, and acknowledge and agree that they are solely responsible for all legal, regulatory and safety-related requirements concerning their products and any use of TI products in such safety-critical applications, notwithstanding any applications-related information or support that may be provided by TI. Further, Buyers must fully indemnify TI and its representatives against any damages arising out of the use of TI products in such safety-critical applications.

TI products are neither designed nor intended for use in military/aerospace applications or environments unless the TI products are specifically designated by TI as military-grade or "enhanced plastic." Only products designated by TI as military-grade meet military specifications. Buyers acknowledge and agree that any such use of TI products which TI has not designated as military-grade is solely at the Buyer's risk, and that they are solely responsible for compliance with all legal and regulatory requirements in connection with such use.

TI products are neither designed nor intended for use in automotive applications or environments unless the specific TI products are designated by TI as compliant with ISO/TS 16949 requirements. Buyers acknowledge and agree that, if they use any non-designated products in automotive applications, TI will not be responsible for any failure to meet such requirements.

Following are URLs where you can obtain information on other Texas Instruments products and application solutions:

Products

Amplifiers	amplifier.ti.com
Data Converters	dataconverter.ti.com
DSP	dsp.ti.com
Clocks and Timers	www.ti.com/clocks
Interface	interface.ti.com
Logic	logic.ti.com
Power Mgmt	power.ti.com
Microcontrollers	microcontroller.ti.com
RFID	www.ti-rfid.com
RF/IF and ZigBee® Solutions	www.ti.com/lprf

Applications

Audio	www.ti.com/audio
Automotive	www.ti.com/automotive
Broadband	www.ti.com/broadband
Digital Control	www.ti.com/digitalcontrol
Medical	www.ti.com/medical
Military	www.ti.com/military
Optical Networking	www.ti.com/opticalnetwork
Security	www.ti.com/security
Telephony	www.ti.com/telephony
Video & Imaging	www.ti.com/video
Wireless	www.ti.com/wireless

Mailing Address: Texas Instruments, Post Office Box 655303, Dallas, Texas 75265
Copyright © 2008, Texas Instruments Incorporated